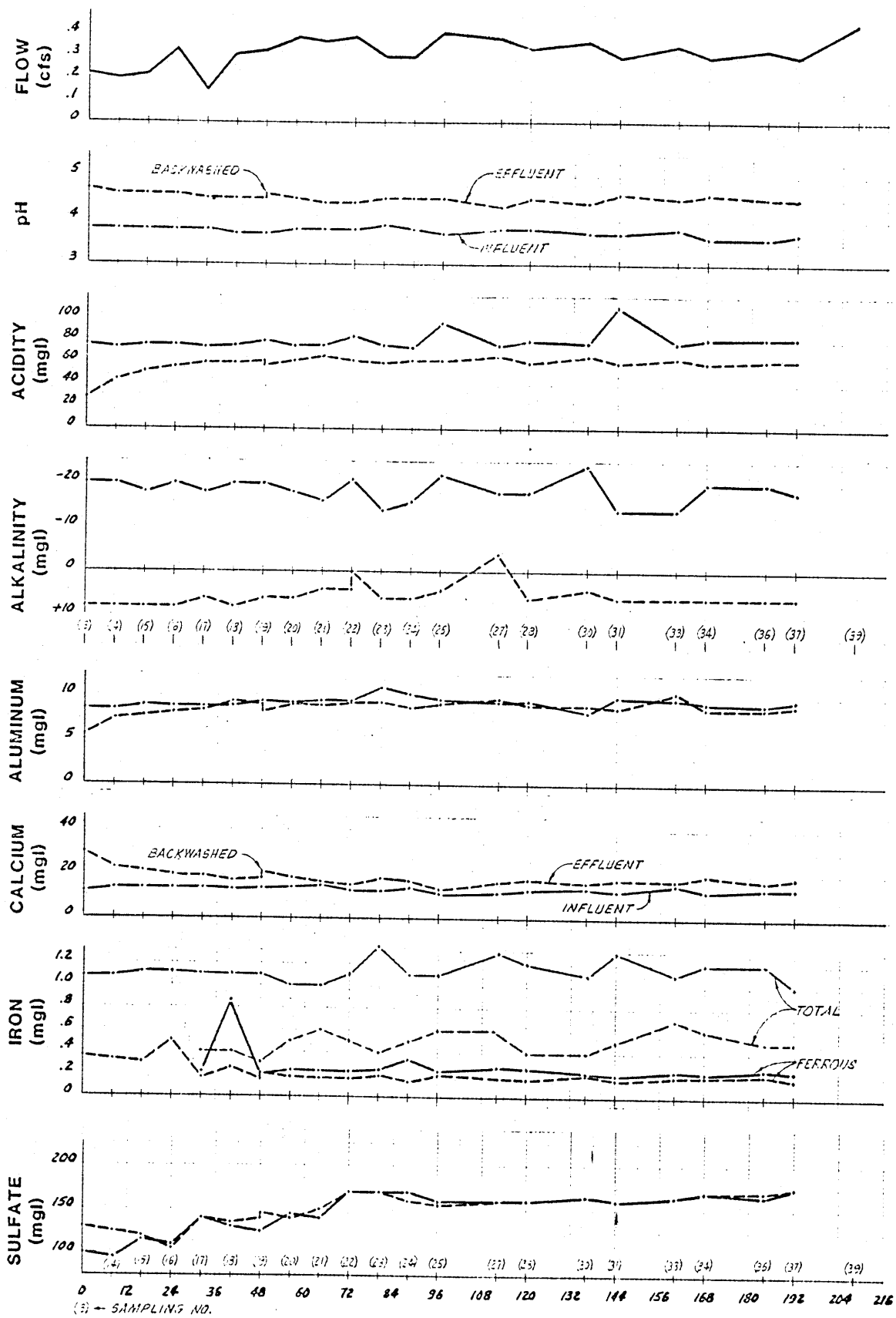


DOWNFLOW REACTORS

SAMPLING NO.	FLOW	LOCATION	FIELD pH	LAB pH	FREE ACIDITY	ACIDITY	ALKALINITY	SULFATES	IRON	CALCIUM	ALUMINUM	MAGNESIUM	REMARKS
					mg/l	mg/l	mg/l	mg/l	mg/l	mg/l	mg/l	mg/l	
					cfs								
37 11/20/79 3:30 PM	0.300	0	3.75	3.70	18	82	0	175	1.00	13.6	9.70		RUN NO. 2
		1	3.80	3.80	16	78	0	175	1.10	14.0	9.00		
		2	4.20	4.00	10	74	0	175	1.00	16.3	9.90		
		3	4.35	4.20	4	70	4	175	1.00	17.4	9.50		
		4	4.55	4.40	2	66	6	175	0.80	17.4	9.30		
		5	4.70	4.50	0	64	6	180	0.70	17.6	9.50		
6	4.85	4.50	0	62	6	175	0.50	18.8	9.10				
39 11/21/79 8:00 AM	0.450	0	3.80										
		1	3.85										
		2	4.05										
		3	4.25										
		4	4.50										
		5	4.50										
6	4.60												
40 5/19/80 5:00 PM	0.210	0	3.70	3.65	38	74	0	140	1.15	13.5	9.32		RUN NO. 3
		1	3.90	3.70	28	74	0	145	1.15	13.9	9.74		
		2	4.50	4.50	0	48	6	155	0.75	19.0	8.48		
		3	4.50	4.50	0	46	6	155	0.59	24.3	7.26		
		4	4.60	4.60	0	34	6	155	0.48	24.8	6.42		
		5	4.70	4.70	0	26	6	155	0.39	29.2	4.64		
6	4.90	4.90	0	14	6	160	0.36	33.9	3.84				
41 5/19/80 8:00 PM	0.178	0	3.80	3.70	62	80	0	150	1.18	12.9	8.70		
		1	3.90	3.80	36	72	0	155	1.14	13.5	8.96		
		2	4.50	4.40	10	56	6	160	0.76	19.4	8.08		
		3	4.50	4.50	0	52	6	165	0.63	21.3	7.32		
		4	4.50	4.50	0	44	6	145	0.43	24.0	6.78		
		5	4.60	4.60	0	30	6	155	0.37	24.6	5.66		
6	4.70	4.70	0	22	6	155	0.33	30.2	4.24				
41 5/19/80 9:00 PM	0.178	0	3.80	3.70	28	76	0	145	1.17	12.5	9.82	14.0	BACKWASH
		1	3.90	-	-	-	-	-	-	-	-	-	
		2	4.40	4.40	12	62	4	145	0.97	18.8	7.76		
		3	4.60	4.50	0	46	6	155	0.78	22.9	6.90		
		4	4.70	4.60	0	34	6	155	0.59	27.5	6.64		
		5	4.80	4.60	0	28	6	150	0.49	27.2	5.16		
6	4.90	4.90	0	12	6	160	0.49	32.0	4.20	13.00			
42 5/19/80 11:00 PM	0.250	0	3.70	3.70	28	72	0	140	1.19	11.2	9.02	13.6	
		1	3.80	3.70	28	76	0	155	1.16	12.1	9.32		
		2	4.30	4.30	8	62	4	150	0.94	17.4	8.62		
		3	4.60	4.50	0	44	6	145	0.71	19.8	8.16		
		4	4.60	4.60	0	36	6	145	0.50	25.8	6.76		
		5	4.70	4.70	0	26	6	145	0.44	27.1	5.72		
6	5.20	4.80	0	8	6	150	0.44	33.5	4.16	14.9			
42 5/20/80 12:00 AM	0.250	0	3.80	3.70	28	76	0	130			9.24	13.5	BACKWASH
		1	4.00	3.70	28	72	0	145					
		2	4.60	4.50	0	50	6	150					
		3	4.65	4.50	0	44	6	145	0.69	22.4	7.16		
		4	4.70	4.60	0	26	6	145	0.57	24.2	6.44		
		5	4.90	4.70	0	24	6	150	0.50	29.0	5.40		
6	5.15	4.80	0	10	6	155	0.46	33.3	4.40	14.6			



DOWN FLOW SAMPLING 13 THRU 39

DOWNFLOW REACTORS

SAMPLING NO.	FLOW	LOCATION	FIELD pH	LAB pH	FREE ACIDITY	ACIDITY	ALKALINITY	SULFATES	IRON	CALCIUM	ALUMINUM	MAGNESIUM	REMARKS
					mg/l	mg/l	mg/l	mg/l	mg/l	mg/l	mg/l	mg/l	
43 5/20/80 3:00 AM	0.250	0	3.50	3.70	30	70	0	140	1.19	12.5	9.64	13.8	
		1	4.00	3.70	22	76	0	120	1.19	14.0	9.28		
		2	4.60	4.40	14	58	5	140	0.88	18.7	8.94		
		3	4.60	4.50	0	52	6	140	0.64	21.7	8.18		
		4	4.60	4.50	0	44	6	140	0.48	22.5	7.82		
		5	4.80	4.60	0	32	6	140	0.48	25.5	7.06		
		6	4.90	4.50	0	28	6	140	0.38	27.7	5.70	13.1	
43 5/20/80 4:00 AM	0.250	0	3.80	3.60	20	70	0	130	1.16	12.6	9.84	14.1	BACKWASH
		1	3.90	3.70	8	76	0	140	1.15	13.2	9.78		
		2	4.70	4.40	1	46	4	125	0.83	25.4	8.66		
		3	4.80	4.50	0	32	4	140	0.63	27.6	6.62		
		4	4.90	4.70	0	16	5	145	0.56	28.4	5.76		
		5	4.90	4.50	0	22	4	140	0.51	33.0	4.44		
		6	5.30	5.00	0	8	6	150	0.48	36.2	3.86	13.8	
44 5/20/80 8:00 AM	0.250	0	3.80	3.60	24	78	0	125	1.20	12.9	9.30	13.3	
		1	4.60	3.70	18	76	0	140	1.15	13.0	9.02		
		2	4.40	4.30	4	62	4	140	0.81	16.5	9.46		
		3	4.60	4.40	3	52	4	140	0.56	18.7	9.00		
		4	4.60	4.40	1	50	4	140	0.42	23.8	7.04		
		5	4.70	4.40	1	36	5	130	0.36	24.9	5.92		
		6	4.80	4.50	0	30	5	135	0.30	27.7	5.00	14.8	
44 5/20/80 9:00 AM	0.250	0	3.70	3.60	18	74	0	125	1.19	12.3	5.30	13.4	BACKWASH
		1	4.50	3.70	18	72	0	140	18.21	69.6	4.46		
		2	4.60	4.40	1	46	4	140	0.79	23.2	7.68		
		3	4.70	4.50	0	34	4	140	0.62	25.1	6.76		
		4	4.90	4.60	0	18	5	145	0.53	30.0	5.28		
		5	5.00	4.60	0	14	5	145	0.53	31.3	5.06		
		6	5.20	5.10	0	8	6	145	0.58	33.0	5.12	14.4	
45 5/20/80 12:00 PM	0.154	0	3.70	3.60	18	74	0	120	1.17	11.8	8.96	13.1	
		1	3.70	3.70	18	72	0	140	1.18	11.8	9.00		
		2	3.80	3.70	16	70	0	135	1.17	12.4	8.82		
		3	4.50	4.50	0	32	5	145	0.73	26.3	6.28		
		4	4.70	4.50	0	24	5	145	0.71	26.4	5.22		
		5	4.60	4.60	0	22	5	140	0.84	27.7	5.26		
		6	5.00	4.70	0	12	6	150	0.70	30.1	4.70	13.8	
45 5/20/80 1:00 PM	0.154	0	3.60	3.60	18	72	0	115	1.17	11.9	9.34	13.6	BACKWASH
		1	4.50	3.70	18	76	0	140	1.21	12.9	8.86		
		2	4.60	4.40	1	42	4	145	0.90	23.1	7.72		
		3	4.90	4.60	0	22	4	145	0.78	26.5	5.76		
		4	5.30	5.00	0	8	6	150	0.71	33.3	4.22		
		5	5.80	5.80	0	2	14	160	0.86	38.9	4.42		
		6	6.00	6.00	0	2	16	160	0.69	40.8	5.44	14.4	
46 5/20/80 4:00 PM	0.150	0	3.80	3.60	18	76	0	165	1.11	13.2	9.62	14.01	
		1	3.80	3.60	12	70	0	160	1.12	13.1	9.04		
		2	4.30	4.30	6	54	3	175	0.85	20.4	8.04		
		3	4.40	4.40	2	38	4	155	0.60	24.6	7.88		
		4	4.50	4.50	0	30	4	160	0.46	27.6	6.32		
		5	4.80	4.70	0	16	5	150	0.42	31.8	4.42		
		6	4.80	4.70	0	16	5	155	0.43	32.2	4.48	13.89	BACKWASH

RUN NO. 3

DOWNFLOW REACTORS

SAMPLING NO.	FLOW	LOCATION	FIELD pH	LAB pH	FREE ACIDITY	ACIDITY	ALKALINITY	SULFATES	IRON	CALCIUM	ALUMINUM	MAGNESIUM	REMARKS
					mg/l	mg/l	mg/l	mg/l	mg/l	mg/l	mg/l		
46 5/20/80 5:00 PM	0.150	0	3.80	3.60	24	72	0	160	1.10	13.4	8.58	13.94	
		1	4.30	3.70	22	70	0	150	1.15	13.4	8.82		
		2	4.50	4.40	2	42	4	145	0.90	22.9	7.64		
		3	4.80	4.60	0	18	5	145	0.65	28.5	5.42		
		4	5.00	4.70	0	14	5	150	0.67	32.1	4.52		
		5	5.10	5.40	0	4	7	145	0.65	35.6	3.80		
		6	5.20	5.80	0	2	9	150	0.89	37.3	5.26	13.60	
47 5/20/80 8:00 PM	0.150	0	3.80	3.60	24	70	0	150	1.14	13.0	9.78	13.6	
		1	3.90	3.60	24	72	0	150	1.13	13.7	8.98		
		2	4.60	4.30	8	52	4	145	0.81	31.5	8.26		
		3	4.70	4.40	4	40	4	145	0.62	23.7	6.78		
		4	4.80	4.40	2	48	4	140	0.81	20.6	7.80		
		5	4.80	4.50	0	30	5	140	0.62	26.9	5.94		
		6	5.30	4.60	0	14	5	140	0.52	30.5	4.62	13.6	
48 5/21/80 12:00 AM	0.170	0	3.90	3.60	24	72	0	155	1.28	13.0	8.84	12.9	
		1	4.00	3.70	26	70	0	155	1.13	12.1	8.74		
		2	4.80	4.30	6	54	4	155	0.85	23.6	10.06		
		3	4.80	4.40	4	48	4	150	0.62	21.5	8.62		
		4	4.70	4.30	6	56	4	155	0.94	18.0	9.46		
		5	4.80	4.40	1	36	4	150	0.77	24.8	7.52		
		6	4.90	4.50	0	28	5	150	0.58	27.4	6.32	13.7	
48 5/21/80 1:00 AM	0.170	0	3.90	3.60	30	78	0	155	1.19	13.5	9.12	12.9	BACKWASH
		1	4.10	3.70	28	70	0	150	1.19	14.8	9.28		
		2	4.90	4.40	4	52	4	155	0.86	21.3	8.16		
		3	4.70	4.50	0	38	4	150	0.76	22.5	7.40		
		4	4.90	4.50	0	26	4	150	0.67	26.9	6.30		
		5	5.20	4.70	0	16	5	145	0.68	29.5	5.00		
		6	5.40	5.00	0	6	6	145	0.63	34.6	4.36		
49 5/21/80 4:00 AM	0.250	0	3.80	3.60	34	72	0	150	1.15	12.5	5.50	12.6	
		1	3.80	3.70	26	72	0	150	1.14	13.2	8.88		
		2	4.55	4.30	8	54	4	155	0.87	18.5	4.30		
		3	4.65	4.30	6	52	3	150	0.64	20.4	9.18		
		4	4.65	4.40	2	46	4	150	0.49	23.1	8.16		
		5	4.70	4.40	4	40	4	150	0.38	24.2	7.72		
		6	4.80	4.50	0	34	5	150	0.35	24.1	6.34	12.9	
50 5/21/80 8:00 AM	0.250	0	3.80	3.60	26	70	0	155	1.18	14.1	9.40	13.7	
		1	3.90	3.70	24	74	0	155	1.18	14.1	9.44		
		2	4.50	4.20	10	60	3	155	0.85	18.3	9.64		
		3	4.50	4.30	6	54	4	155	0.59	19.3	9.52		
		4	4.60	4.30	3	52	4	150	0.44	21.0	9.50		
		5	4.60	4.40	6	50	4	150	0.37	21.7	8.68		
		6	4.70	4.40	3	44	4	150	0.29	23.7	7.68	13.7	
50 5/21/80 9:00 AM	0.250	0	4.00	3.60	26	74	0	150	1.19	14.4	10.38	13.6	BACKWASH
		1	3.80	3.60	22	78	0	160	1.21	12.5	8.78		
		2	5.50	4.50	0	32	5	150	0.76	28.4	6.38		
		3	4.90	4.70	0	16	5	150	0.73	31.2	4.74		
		4	5.20	5.00	0	10	6	150	0.65	39.5	4.00		
		5	5.50	5.70	0	3	9	155	0.61	38.4	3.26		
		6	5.40	5.80	0	4	10	155	0.65	34.6	3.88	12.7	

RUN NO. 3

DOWNFLOW REACTORS

SAMPLING NO.	FLOW	LOCATION	FIELD pH	LAB pH	FREE ACIDITY	ACIDITY	ALKALINITY	SULFATES	IRON	CALCIUM	ALUMINIUM	MAGNESIUM	REMARKS
					mg/l	mg/l	mg/l	mg/l	mg/l	mg/l	mg/l		
51 5/21/80 12:00 PM	0.170	0	3.80	3.60	28	74	0	150	1.15	14.0	9.90	13.4	
		1	3.90	3.60	28	74	0	155	1.19	14.4	8.40		
		2	4.60	4.40	4	52	4	155	0.97	21.7	8.30		
		3	4.80	4.40	2	42	4	155	0.73	24.9	7.90		
		4	4.80	4.50	0	26	5	150	0.61	29.1	5.26		
		5	4.90	4.70	0	16	5	150	0.55	30.0	4.82		
		6	5.00	4.80	0	12	5	150	0.50	34.2	3.96	13.5	
52 5/21/80 4:00 PM	0.250	0	3.90	3.60	28	72	0	150	1.20	12.9	9.42	14.7	
		1	4.10	3.60	28	74	0	160	1.16	12.4	9.48		
		2	4.50	4.30	4	58	4	160	0.80	19.6	9.66		
		3	4.50	4.30	8	52	4	160	0.82	18.7	8.36		
		4	4.60	4.30	4	48	4	155	0.65	21.1	3.97		
		5	4.60	4.40	1	38	4	155	0.50	23.9	3.57		
		6	4.70	4.40	1	34	4	150	0.49	24.8	7.52	14.3	
52 5/21/80 5:00 PM	0.250	0		3.60	30	74	0	155	1.21	13.4	10.76	15.1	BACKWASH
		1	4.10	3.60	24	74	0	155	1.16	13.7	10.06		
		2	4.80	4.40	3	44	4	155	0.86	23.2	8.44		
		3	4.90	4.50	0	26	4	155	0.80	29.2	7.20		
		4	5.10	4.70	0	12	5	155	0.60	32.4	4.92		
		5	5.20	5.00	0	8	5	155	0.58	38.7	4.86		
		6	5.60	5.50	0	2	7	155	0.53	33.9	3.86	13.3	
53 5/21/80 8:00 PM	0.210	0	3.90	3.60	28	68	0	150	1.26	14.3	8.86	14.7	
		1	4.10	3.70	32	74	0	155	1.21	12.1	9.02		
		2	4.70	4.40	10	56	4	160	0.86	23.6	7.92		
		3	4.80	4.40	6	52	4	160	0.64	22.2	7.98		
		4	4.80	4.40	4	44	4	150	0.45	23.8	7.06		
		5	4.90	4.50	0	38	4	150	0.47	32.1	6.66		
		6	4.90	4.50	0	26	5	155	0.33	26.6	5.56	14.1	
54 5/22/80 12:00 AM	0.220	0	4.10	3.60	34	74	0	155	1.14	13.1	8.62	14.2	
		1	4.60	3.80	24	70	0	155	1.21	14.2	9.48		
		2	4.70	4.30	12	60	3	160	0.87	18.4	9.22		
		3	4.80	4.40	4	58	4	160	0.64	19.3	8.76		
		4	4.90	4.40	6	52	4	155	0.47	19.6	9.48		
		5	4.90	4.40	2	48	4	155	0.34	23.8	8.92		
		6	4.90	4.40	2	40	4	155	0.36	23.8	7.86	14.8	
54 5/22/80 1:00 AM	0.220	0	4.40	3.60	34	72	0	155	1.20	13.6	9.86	14.8	BACKWASH
		1	4.30	3.70	36	74	0	155	1.18	12.9	9.64		
		2	5.00	4.40	8	48	5	155	0.87	23.4	9.14		
		3	5.00	4.50	0	34	5	155	0.68	27.1	7.22		
		4	5.20	4.60	0	18	5	150	0.64	28.3	5.40		
		5	5.40	4.90	0	8	5	155	0.65	34.9	4.80		
		6	5.40	4.90	0	8	6	155	0.70	33.6	5.26		
55 5/22/80 4:00 AM	0.210	0	4.60	3.60	28	76	0	155	1.19	13.8	9.76	14.5	
		1	6.10	3.60	28	74	0	150	1.25	21.9	9.72		
		2	5.00	4.30	6	60	4	155	0.88	17.9	4.25		
		3	5.20	4.40	6	60	4	150	0.66	20.9	7.46		
		4	5.20	4.50	0	44	5	150	0.54	23.4	6.72		
		5	5.20	4.50	0	32	5	150	0.52	27.0	5.84		
		6	5.40	4.60	0	24	4	150	0.50	29.9	5.20		

RUN NO. 3

DOWNFLOW REACTORS

SAMPLING NO.	FLOW	LOCATION	FIELD pH	LAB pH	FREE ACIDITY	ACIDITY	ALKALINITY	SULFATES	IRON	CALCIUM	ALUMINUM	MAGNESIUM	REMARKS
					mg/l	mg/l	mg/l	mg/l	mg/l	mg/l	mg/l		
					cfa								
56 5/22/80 8:00 AM	0.230	0	3.80	3.60	26	78	0	150	1.18	13.2	9.04	14.8	
		1	3.80	3.60	26	66	0	155	1.23	13.2	8.88		
		2	4.30	4.20	10	56	2	155	0.85	19.4	8.80		
		3	4.40	4.30	8	56	3	155	0.58	18.7	8.66		
		4	4.40	4.30	6	48	4	160	0.44	20.7	8.20		
		5	4.50	4.40	4	44	4	180	0.41	22.5	7.54	14.5	
		6	4.60	4.40	3	34	4	180	0.33	23.0	7.20	15.1	
56 5/22/80 9:00 AM	0.230	0	3.80	3.60	28	76	0	175	0.53	22.4	9.82	13.6	BACKWASH
		1	3.90	3.60	26	76	0	175	1.12	22.4	10.02		
		2	4.60	4.40	4	42	4	180	1.16	22.5	8.10		
		3	4.70	4.50	0	32	5	175	0.83	26.5	6.74		
		4	4.90	4.70	0	14	5	175	0.74	31.5	4.94		
		5	5.10	4.80	0	12	6	180	0.71	30.5	4.16		
		6	5.80	5.50	0	6	7	175	0.58	33.4	3.42	9.6	
57 5/22/80 12:00 PM	0.220	0	3.70	3.60	30	76	0	155	1.19	13.4	9.24	13.2	
		1	3.70	3.60	28	76	0	155	2.31	53.6	8.82	13.1	
		2	5.10	4.50	0	28	4	140	0.90	21.5	6.78		
		3	5.00	3.70	30	74	0	150	1.22	14.8	8.98		
		4	4.40	4.40	4	48	4	150	0.83	21.8	7.80		
		5	4.50	4.40	1	38	4	145	0.65	26.3	6.76		
		6	4.70	4.50	0	36	4	145	0.60	29.7	5.68	14.9	
58 5/22/80 4:00 PM	0.220	0	4.20	3.60	28	78	0	150	1.18	14.5	8.62	16.0	
		1	6.20	3.60	28	76	0	155	1.16	16.9	8.94		
		2	4.70	4.30	6	60	4	160	0.87	17.0			
		3	5.00	4.30	6	52	4	160	0.60	20.9	8.74		
		4	4.60	4.40	4	48	4	155	0.51	22.1	5.84		
		5	4.70	4.40	2	42	4	160	0.43	22.8	6.30		
		6	4.70	4.40	1	40	4	165	0.35	25.0	5.94	15.7	
58 5/22/80 5:00 PM	0.220	0	4.10	3.60	34	80	0	160	1.22	13.5	8.72	15.5	BACKWASH
		1	3.90	3.60	28	76	0	160	1.17	14.2	8.62		
		2	4.70	4.40	4	52	5	165	0.85	23.0	7.24		
		3	4.80	4.50	0	34	5	160	0.68	27.5	6.42		
		4	5.10	4.60	0	20	5	160	0.58	31.8	5.18		
		5	5.50	4.80	0	12	6	160	0.55	35.5	4.32		
		6	5.80	5.60	0	4	9	165	0.50	38.6	3.52	15.3	
59 5/22/80 8:00 PM	0.220	0	4.30	3.60	26	76	0	160	1.14	13.0	8.56	13.5	
		1	4.10	3.60	24	74	0	165	1.19	13.2	8.62		
		2	4.60	4.40	6	60	4	170	0.88	17.8	8.08		
		3	4.90	4.40	6	52	4	165	0.62	20.4	7.38		
		4	4.90	4.50	0	42	4	160	0.53	24.0	7.02		
		5	5.00	4.50	0	34	5	165	0.44	27.7	5.84		
		6	5.40	4.60	0	24	5	165	0.51	30.7	4.64	14.8	
60 5/23/80 12:00 AM	0.230	0	3.80	3.60	24	80	0	165	1.17	13.6	8.66	14.6	
		1	3.90	3.70	26	74	0	165	1.08	12.6	8.04		
		2	4.60	4.30	8	62	3	170	0.59	19.6	8.96		
		3	4.60	4.40	8	60	4	165	0.52	19.2	7.92		
		4	4.80	4.40	8	52	4	165	0.48	21.2	8.12		
		5	5.00	4.40	6	52	4	165	0.49	23.7	8.50		
		6	5.60	4.40	4	42	4	165	0.46	21.4	7.44	12.3	BACKWASH

RUN NO. 3

DOWNFLOW REACTORS

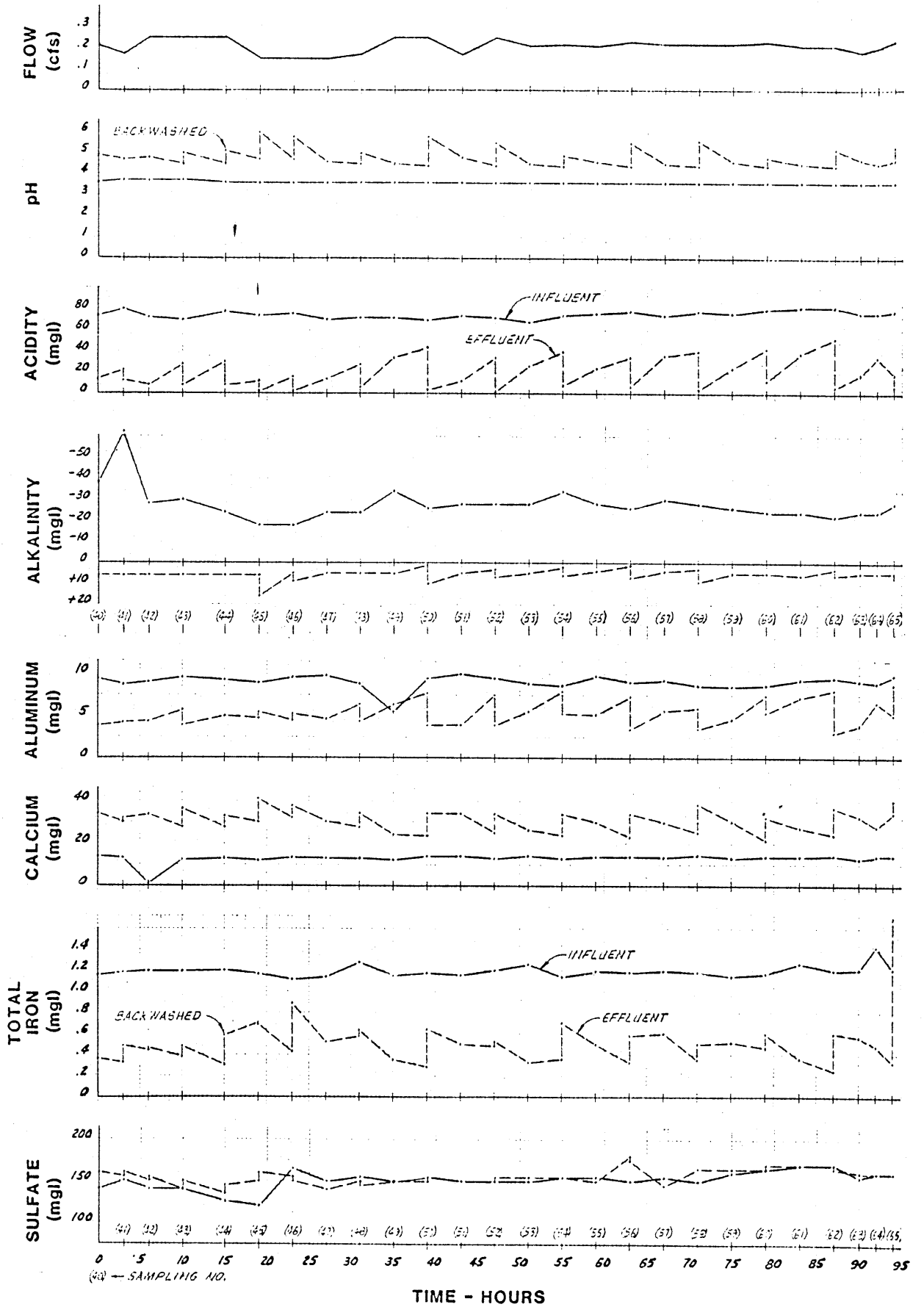
SAMPLING NO.	FLOW	LOCATION	FIELD pH	LAB pH	FREE ACIDITY	ACIDITY	ALKALINITY	SULFATES	IRON	CALCIUM	ALUMINUM	MAGNESIUM	REMARKS
					mg/l	mg/l	mg/l	mg/l	mg/l	mg/l	mg/l	mg/l	
60 5/23/80 1:00 AM	0.230	0	3.80	3.60	24	82	0	170	1.02	7.3	9.26	15.8	
		1	4.00	3.70	24	78	0	175	1.22	12.2	10.12		
		2	4.90	4.40	4	50	4	170	0.90	24.5	7.94		
		3	5.20	4.60	0	28	5	170	0.76	28.3	6.58		
		4	5.20	4.60	0	24	5	170	0.84	26.3	6.22		
		5	5.60	4.70	0	20	6	170	0.60	32.6	4.86		
		6	5.70	4.80	0	12	5	170	0.59	32.1	5.42		
61 5/23/80 4:00 AM	0.210	0	4.20	3.60	24	82	0	170	1.26	13.5	9.28	14.8	
		1	4.30	3.70	28	80	0	170	1.20	13.9	9.66		
		2	4.90	4.40	10	60	4	175	0.88	18.9	10.40		
		3	5.20	4.40	6	54	4	175	0.65	21.2	8.72		
		4	5.20	4.40	4	48	5	170	0.54	23.3	8.18		
		5	5.20	4.40	1	44	5	170	0.45	23.6	7.58		
		6	5.30	4.50	0	38	6	170	0.36	26.9	7.16		
62 5/23/80 8:00 AM	0.210	0	3.70	3.60	22	82	0	170	1.19	14.1	9.56	15.5	
		1	4.30	3.60	22	82	0	175	1.16	9.4	9.14		
		2	4.80	4.20	6	66	2	180	0.87	18.3	9.32		
		3	4.70	4.40	1	60	4	180	0.60	18.3	9.70		
		4	4.70	4.40	1	60	5	170	0.44	19.5	8.82		
		5	5.00	4.40	1	56	4	170	0.35	21.3	8.56		
		6	5.20	4.40	1	52	4	170	0.25	24.0	8.02		
62 5/23/80 9:00 AM	0.210	0	3.70	3.60	22	82	0	170	1.14	14.7	8.82	12.4	BACKWASH
		1	3.70	3.60	20	84	0	170	1.18	13.2	8.80		
		2	4.80	4.40	2	50	4	175	0.95	23.2	8.16		
		3	4.90	4.60	0	26	5	170	0.83	30.7	5.96		
		4	5.10	4.80	0	12	6	175	0.72	31.2	4.72		
		5	5.70	5.20	0	6	6	165	0.67	35.1	3.76		
		6	5.80	5.20	0	6	6	165	0.59	36.7	3.00		
63 5/23/80 11:00 AM	0.180	0	4.00	3.60	24	76	0	155	1.21	12.6	9.16	14.7	
		1	4.20	3.70	24	80	0	160	1.20	13.5	9.42		
		2	4.60	4.40	4	52	4	160	0.85	18.7	8.42		
		3	4.70	4.40	4	42	4	160	0.81	20.7	7.60		
		4	5.20	4.50	0	32	5	160	0.71	22.5	6.14		
		5	5.80	4.60	0	34	5	160	0.66	32.3	5.64		
		6	5.70	4.70	0	18	5	160	0.57	32.6	3.86		
64 5/23/80 1:00 PM	0.200	0	3.70	3.60	24	76	0	160	1.42	13.9	8.84	14.8	
		1	3.75	3.70	26	74	0	160	1.20	13.9	8.90		
		2	4.40	4.40	2	62	5	165	0.92	20.3	9.34		
		3	4.40	4.40	2	56	5	160	0.85	19.2	8.60		
		4	4.50	4.40	2	50	5	160	0.71	22.8	8.92		
		5	4.40	4.50	0	40	5	160	0.56	24.1	5.80		
		6	4.50	4.50	0	34	5	160	0.48	27.4	6.54		
65 5/23/80 3:00 PM	0.230	0	4.00	3.60	28	78	0	160	1.21	13.9	9.82	14.5	
		1	4.20	3.70	22	74	0	160	1.21	13.4	9.28		
		2	4.60	4.40	2	52	5	165	0.93	22.5	8.60		
		3	4.70	4.40	2	44	5	160	0.64	23.9	8.62		
		4	4.80	4.50	0	32	5	155	0.50	29.1	7.30		
		5	5.90	4.60	0	22	5	160	0.42	32.8	6.04		
		6	6.00	4.70	0	18	5	160	0.33	34.0	5.14		

RUN NO. 3

DOWNFLOW REACTORS

SAMPLING NO.	FLOW	LOCATION	FIELD pH	LAB pH	FREE ACIDITY	ACIDITY	ALKALINITY	SULFATES	IRON	CALCIUM	ALUMINUM	MAGNESIUM	REMARKS
	cfs				mg/l	mg/l	mg/l	mg/l	mg/l	mg/l	mg/l	mg/l	
65 5/23/80 4:00 PM	0.230	0	3.70	3.60	22	76	0	160	1.27	13.2	8.88	14.6	
		1	3.60	3.70	25	78	0	160	1.30	13.4	8.90		
		2	4.40	4.40	2	58	4	165	0.69	31.5	6.20		
		3	4.40	4.40	3	46	4	160	0.82	23.3	7.62		
		4	4.50	4.60	0	30	5	160	0.83	31.0	7.46		
		5	4.60	4.70	0	18	6	160	0.75	32.2	6.64		
		6	4.80	5.30	0	6	7	160	1.70	39.9	8.72		

RUN NO. 3

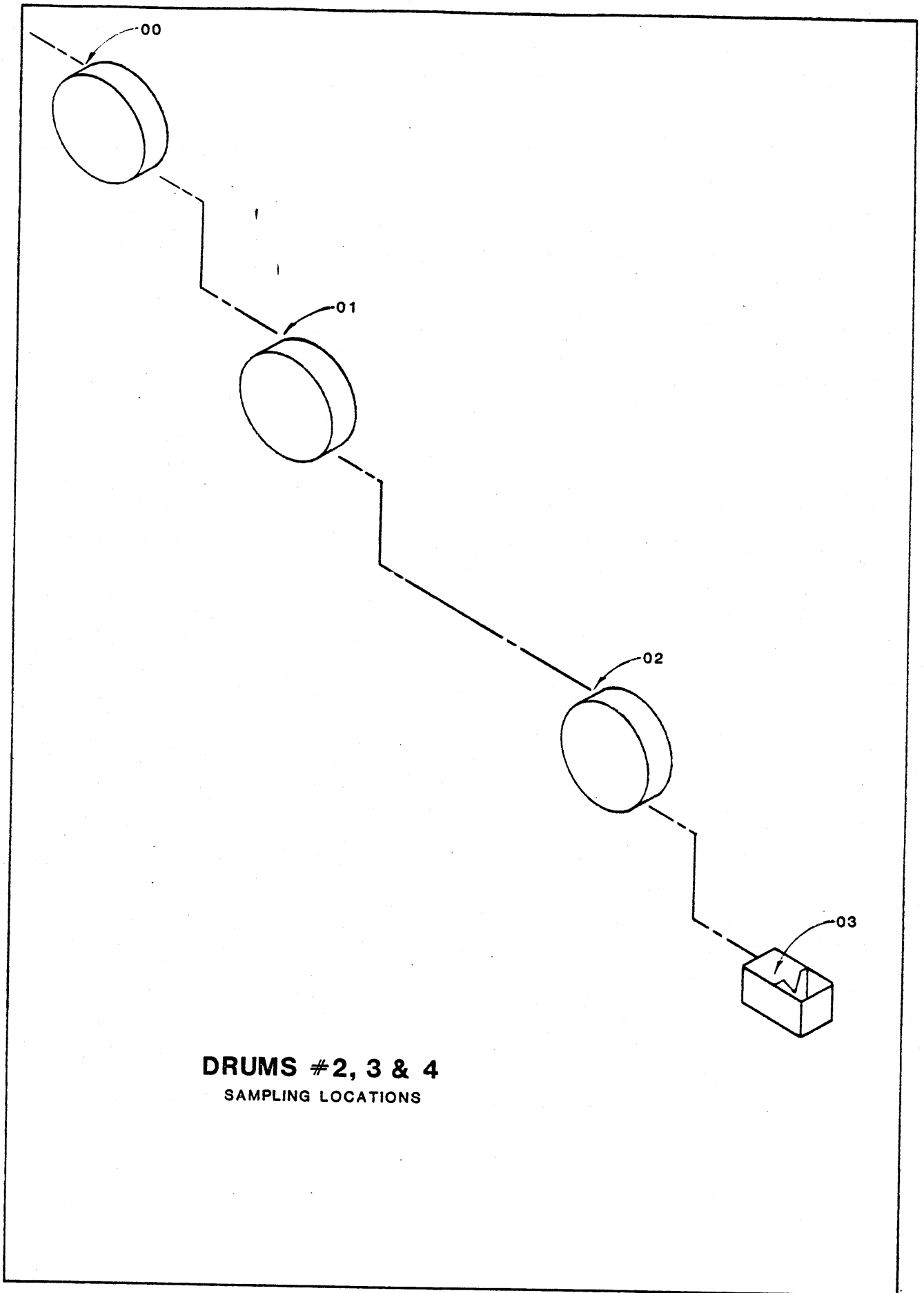


DOWN FLOW SAMPLING 40 THRU 65

DOWNFLOW REACTORS

SAMPLING NO.	LOCATION	MAGNESIUM	MANGANESE	POTASSIUM	SODIUM	SILICA	CHLORIDE	TOTAL SOLIDS	RES. DISS.	REMARKS
		mg/l	mg/l	mg/l	mg/l	mg/l	mg/l	mg/l	mg/l	
2	0	19.40	2.95	1.28	4.9	18.480	5.0	484		
2	6	19.80	3.08	1.24	4.9	23.150	5.0	512		
3	0	16.40	2.56	2.30	2.6	24.930	4.0	420		
3	6	16.60	2.63	1.76	2.8	27.980	4.0	412		
4	0	19.40	2.48	1.44	4.9	19.640	5.0	362		
4	6	19.50	2.41	1.48	4.7	16.960	5.0	388		
4	7	18.90	2.46	1.38	5.3	17.960	5.0	364		
4	13	18.80	2.43	1.40	5.4	10.040	6.0			
5	0	9.46		1.42	4.7	20.180	4.6	466		
5	6	17.12	2.50	1.36	4.8	20.600	4.7	474		
6	0	16.71	2.43	1.46	4.8	19.500	5.0	426		
7	0		2.68	1.40	4.3	9.710	4.0	464		
7	6		2.36	1.28	4.4	9.330	5.0	436		
8	0		2.56	1.42	4.8	4.500	5.0		334	
8	6		2.65	1.34	4.5	4.830	6.0	408	368	
8	7		2.53	1.32	5.8	4.620	6.0	350	348	
8	13		2.70	1.42	4.5	5.380	6.0	546	376	
9	0	23.00	2.08	1.34	4.9	8.730	5.0	408	400	
9	6	24.00	2.11	1.46	5.9	9.330	5.0	448	388	
9	7	23.00	2.10	1.36	5.2	8.900	5.0	416	412	
9	13	25.00	2.10	1.75	4.5	9.070	5.0	420	366	
10	0	18.70	2.08	1.76	4.6	8.820	6.0	412	408	
10	6	20.50	2.13	1.34	5.6	7.900	6.0	428	414	
10	7	18.90	2.12	1.62	5.1	8.370	6.0	440	436	
10	13	20.60	2.10	1.62	4.2	8.510	6.0	446	432	
11	0	21.20	2.24		3.3	7.520		448	442	
11	6	22.20	2.31	1.10	3.3	7.630	4.0	438	428	
40	0	12.20								
40	6	14.80								
41	0	14.80								
41	6	14.40								
41	0	14.00								
41	15	13.00								

SPECIAL TESTS

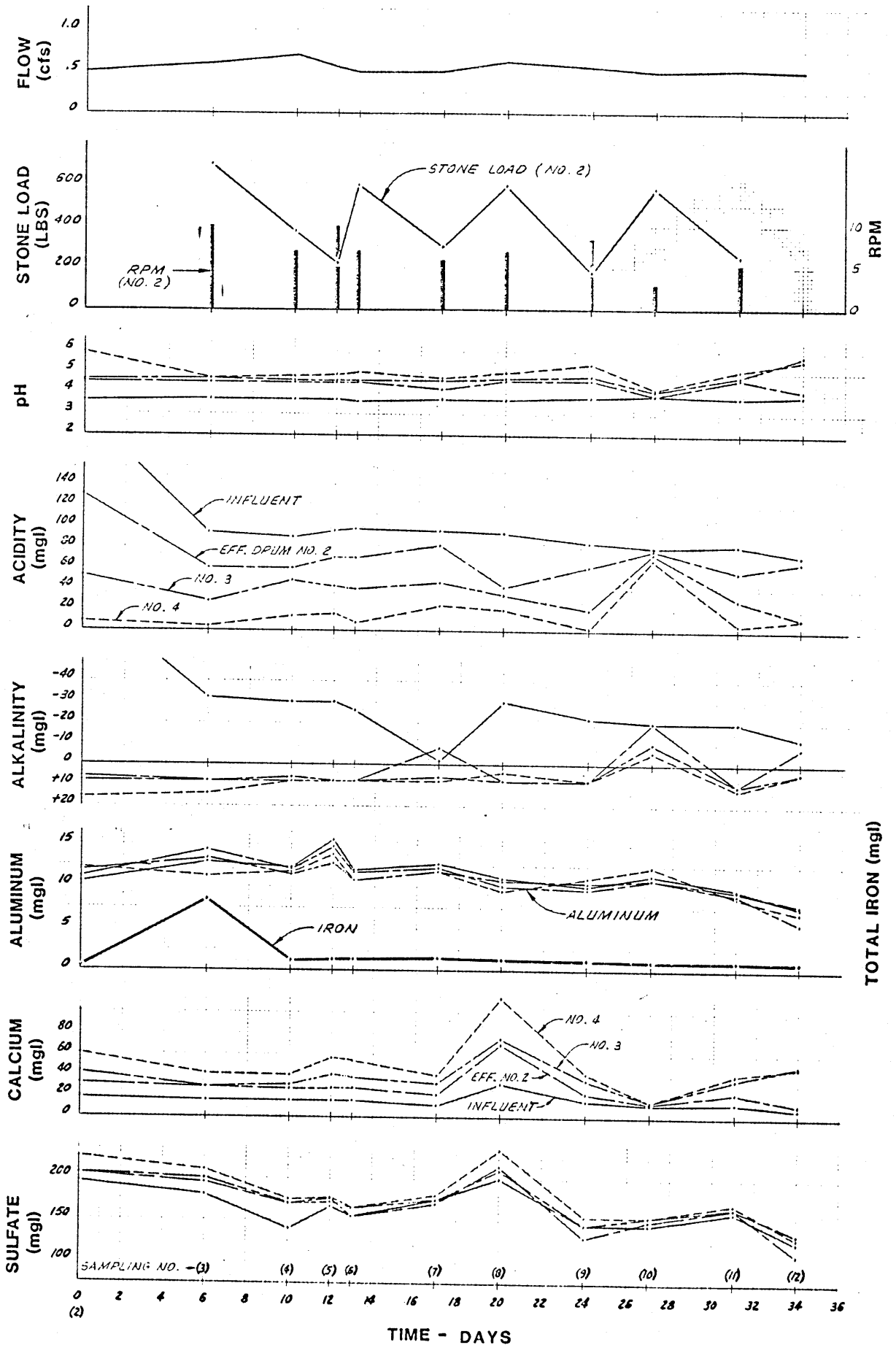


DRUMS #2, 3 & 4
SAMPLING LOCATIONS

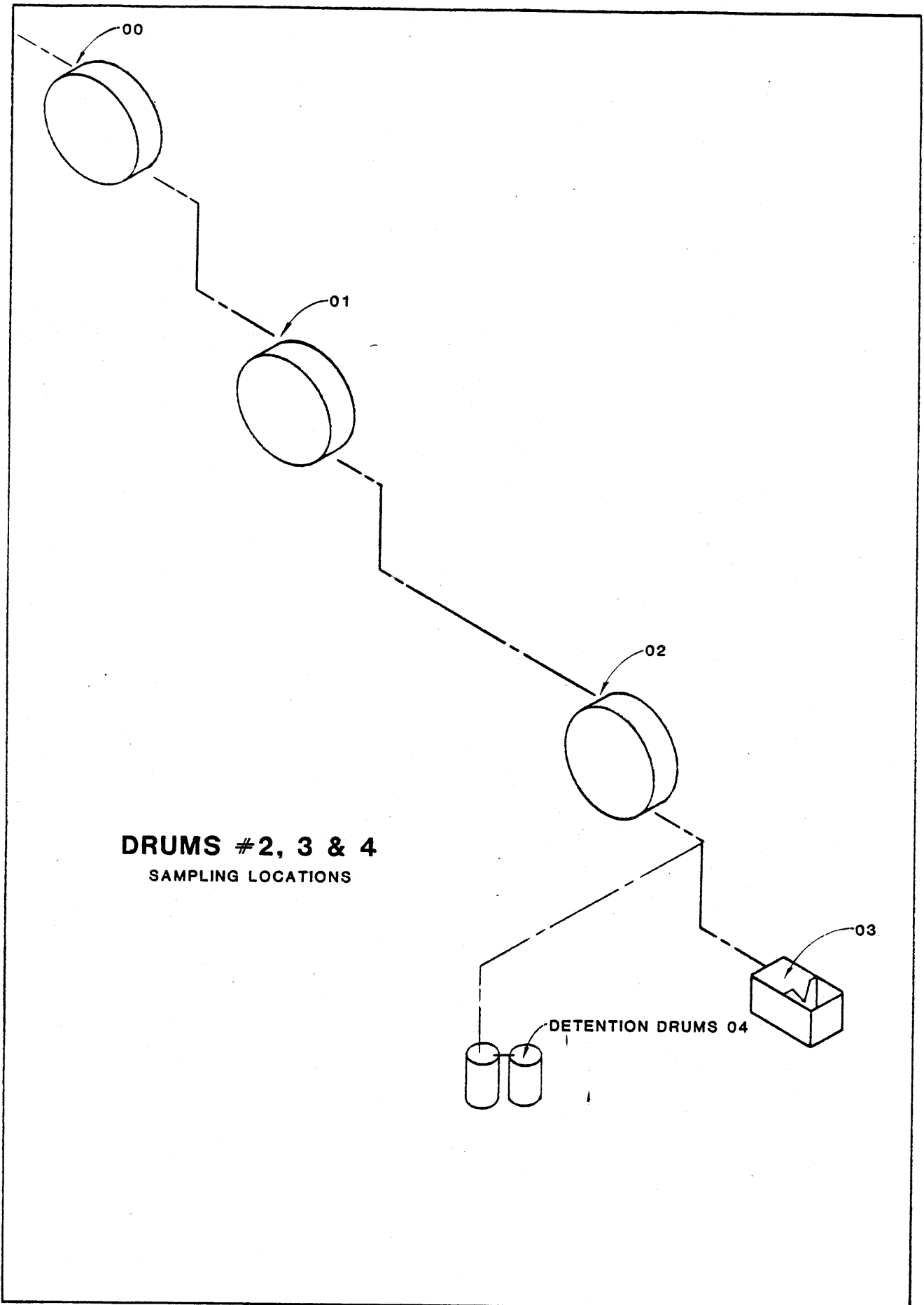
DRUMS #2, 3 & 4

SAMPLING NO.	FLOW	LOCATION	FIELD pH	LAB pH	FREE ACIDITY	ACIDITY	ALKALINITY	SULFATES	IRON	CALCIUM	ALUMINUM	STONE LOAD	RPM	REMARKS	
					mg/l	mg/l	mg/l	mg/l	mg/l	mg/l	mg/l	mg/l			% full
1 7/10/79 1:00 PM	0.500	0	3.40												
			4.40	4.70											
			4.60	5.10	0	34	4	40	185	2.04					
2 8/30/79 1:00 PM	0.500	0	4.80	5.80	0	2		200	2.38						
			4.80	4.50	80		0	195	0.35	17.8	10.56				
			5.00	4.60	0	52	8	205	0.58	32.1	11.16	18.0	12.0		
3 9/6/79 1:00 PM	0.607	0	5.90	5.90	0	8	16	225	0.52	60.2	12.12	21.0	12.0		
			4.60	4.50	0	60	8	195	8.14	29.1	14.40		7.5		
			4.60	4.70	0	28	8	200	9.37	29.1	13.20		6.0		
4 9/10/79 1:00 PM	0.706	0	5.00	4.70	0	4	14	210	8.28	41.3	11.22		6.0		
			3.60	3.70	30	90	0	140	1.24	16.1	12.24				STONE ADDED
			4.40	4.50	0	60	6	170	1.32	27.5	12.12	45.0	7.0		
5 9/12/79 1:00 PM	0.550	0	4.50	4.60	0	48	8	170	1.35	30.4	11.40	40.0	7.0		
			4.80	4.80	0	14	8	175	1.04	40.1	11.64	45.0	7.0		
			3.80	3.70	30	96	0	167	1.27	16.0	15.60				
6 9/13/79 1:00 PM	0.500	0	4.50	4.50	0	70	8	177	1.27	28.0	14.76	30.0	10.0		
			4.70	4.60	0	42	8	172	1.27	40.7	12.72	28.0	10.0		
			5.00	4.90	0	16	8	176	1.30	56.6	13.80	31.5	9.0		
7 9/17/79 1:00 PM	0.500	0	3.75	3.60	26	98	0	155	1.32	16.5	12.00				
			4.45	4.50	0	70	8	155	1.32	27.7	11.76	22.0	7.5		
			4.60	4.60	0	40	8	165	1.33	37.7	10.80	20.0	7.5		
8 9/20/79 1:00 PM	0.629	0	4.95	5.00	0	8	8	165	1.45	53.7	10.56	24.0	6.0		
			3.60	3.70	2	96	0	175	1.44	12.0	12.72				STONE ADDED
			4.35	4.20	10	82	2	170	1.38	21.4	12.36	40.0	6.0		
9 9/24/79 1:00 PM	0.563	0	4.50	4.60	0	46	6	175	1.57	32.6	11.88	36.0	6.0		
			4.70	4.70	0	24	8	180	1.51	40.2	11.64	40.0	6.0		
			5.20	5.40	0	2	8	155	1.26	41.4	11.04	24.0	8.5		
10 9/27/79 1:00 PM	0.502	0	3.75	3.80	22	84	0	145	1.11	15.0	10.08				
			4.60	4.60	0	62	8	130	1.09	22.7	9.72	24.0	8.6		
			4.70	4.80	0	20	8	145	1.21	10.44	24.0	8.2			
11 10/1/79 1:00 PM	0.526	0	5.20	5.40	0	2	8	155	1.26	41.4	11.04	24.0	8.5		
			3.80	3.90	20	80	0	145	1.15	12.7	11.40				STONE ADDED
			3.90	3.90	20	78	0	150	1.16	13.6	10.92	0.0	30.0		
12 10/4/79 1:00 PM	0.502	0	4.10	4.10	12	74	2	155	1.09	14.9	10.80	0.0	50.0		
			4.15	4.20	8	68	2	155	1.08	14.3	12.36	0.0	38.0		
			4.00	3.80	20	82	0	160	1.11	13.4	9.72				
13 10/4/79 1:00 PM	0.502	0	4.80	4.70	0	56	10	165	1.09	23.1	9.60	31.5	5.3		
			4.65	4.80	0	30	10	165	1.12	36.3	9.12	31.5	4.8		
			5.15	5.10	0	6	12	170	1.09	40.9	8.76	28.0	5.0		
14 10/4/79 1:00 PM	0.502	0	3.80	3.90	12	72	0	125	1.00	8.6	7.56				
			4.00	4.10	10	66	2	110	1.05	12.2	7.80	0.0	40.0		
			4.70	5.80	0	12	4	135	1.07	50.0	5.64	4.0	15.0		
15 10/4/79 1:00 PM	0.502	0	4.90	5.60	0	12	4	130	0.95	48.6	6.96	0.0	40.0		
			4.90	5.60	0	12	4	130	0.95	48.6	6.96	0.0	40.0		
			3.80	3.90	12	72	0	125	1.00	8.6	7.56				STONE ADDED

RUN NO. 1



DRUMS 2, 3, & 4 SAMPLING 1 THRU 12



DRUMS #2, 3 & 4

SAMPLING NO.	FLOW	LOCATION	FIELD pH	LAB pH	FREE ACIDITY	ACIDITY	ALKALINITY	SULFATES	IRON	CALCIUM	ALUMINUM	STONE LOAD	RPM	REMARKS
					mg/l	mg/l	mg/l	mg/l	mg/l	mg/l	mg/l	% full		
12 10/4/79 3:00 PM	0.629	0	3.80	3.90	14	70	0	100	0.92	8.5	8.64			RUN NO. 1
		1	5.00	5.80	0	2	12	135	1.00	50.7	6.48		3.1	
		2	5.80	6.50	0	2	34	140	1.09	70.9	7.56		3.3	
		3	5.95	6.90	0	0	42	135	0.92	103.0	4.78		3.0	
13 11/12/79 5:30 PM	0.770	0	3.90	3.80	18	74	0	115	1.06	14.0	8.80			STONE ADDED
		1	5.10	4.90	0	14	8	135	1.08	36.6	8.90	76.0	9.2	
		2	5.90	6.10	0	2	20	150	1.25	57.8	8.70	76.0	8.0	
		3	5.90	6.40	0	1	38	160	1.21	73.3	8.70	76.0	10.0	
14 11/12/79 11:00 PM	0.770	0	3.90	3.80	16	74	0	80	1.06	12.3	9.40			RUN NO. 2
		1	4.90	4.80	0	26	8	120	1.07	29.6	8.80	70.0	6.5	
		2	5.20	5.90	0	3	14	145	1.10	42.9	8.60	70.0	8.5	
		3	5.50	6.40	0	1	36	165	1.13	65.8	8.20	70.0	6.5	
15 11/13/79 8:00 AM	0.930	0	3.80	3.80	18	76	0	90	1.10	12.5	8.70			RUN NO. 1
		1	4.95	4.70	0	34	8	125	1.07	28.6	8.10	64.0	8.5	
		2	5.50	5.60	0	4	10	140	1.12	37.9	8.40	64.0	8.0	
		3	5.60	5.30	0	20	28	155	1.11	54.8	7.80	64.0	7.5	
16 11/13/79 3:30 PM	0.930	0	3.95	3.80	20	74	0	90	1.11	13.6	8.90			RUN NO. 2
		1	4.70	4.60	0	42	8	115	1.16	24.6	7.80	57.0	8.3	
		2	5.10	5.60	0	6	10	145	0.99	42.7	8.20	57.0	9.8	
		3	5.60	6.40	0	3	30	155	1.20	63.6	8.10	57.0	9.0	
17 11/13/79 11:00 PM	0.760	0	3.90	3.70	18	78	0	140	1.10	11.9	9.50			RUN NO. 1
		1	4.85	4.60	0	44	8	135	1.00	26.0	8.80	52.0	10.0	
		2	4.85	5.70	0	6	12	155	0.90	40.2	9.20	52.0	12.0	
		3	5.40	6.20	0	4	20	160	0.90	44.2	10.40	52.0	10.0	
18 11/14/79 8:00 AM	0.770	0	3.80	3.80	0	82	0	130	1.10	12.5	9.80			RUN NO. 2
		1	4.90	4.80	0	42	6	140	1.20	25.9	10.00	46.0	10.0	
		2	5.60	5.10	0	14	6	150	0.90	36.0	8.00	46.0	8.5	
		3	5.60	6.20	0	4	18	160	1.20	42.5	11.00	46.0	8.0	
19 11/14/79 3:30 PM	0.930	0	3.90	3.80	0	78	0	135	1.00	13.1	9.50			RUN NO. 1
		1	4.85	4.80	0	36	8	150	1.00	27.5	9.30	39.0	12.8	
		2	5.10	5.40	0	6	10	155	1.00	39.1	9.70	39.0	12.0	
		3	5.70	6.20	0	3	22	170	1.10	44.7	10.70	39.0	13.0	
20 11/14/79 11:00 PM	0.560	0	4.30	3.80	16	80	0	130	1.00	14.2	9.60			RUN NO. 2
		1	5.10	6.00	0	3	12	160	1.00	40.0	9.50	25.0	12.0	
		2	5.50	6.20	0	3	22	170	1.20	47.4	10.80	25.0	10.0	
		3	5.95	6.40	0	2	30	170	1.20	50.6	10.90	25.0	8.5	
21 11/15/79 8:00 AM	0.630	0	3.80	3.80	16	80	0	135	1.00	12.8	8.90			RUN NO. 1
		1	3.80	3.80	16	82	0	150	1.10	13.1	9.30	0.0	30.0	
		2	5.05	5.20	0	10	4	160	1.00	39.1	8.20	0.0	16.0	
		3	5.40	6.40	0	2	18	170	1.40	46.5	10.10	0.0	13.0	
22 11/15/79 3:00 PM	0.500	0	4.00	3.80	16	78	0	160	1.10	11.5	10.10			STONE ADDED
		1	5.30	5.60	0	4	16	160	1.20	30.4	10.00	76.0	6.5	
		2	5.60	6.70	0	0	48	170	1.30	70.0	9.70	76.0	5.0	
		3	6.20	7.10	0	0	56	170	1.40	88.6	9.40	76.0	6.0	
4	6.50	7.40	0	0	52	170	1.20	67.9	8.40					

DRUMS #2, 3 & 4

SAMPLING NO.	FLOW	LOCATION	FIELD pH	LAB pH	FREE ACIDITY	ACIDITY	ALKALINITY	SULFATES	IRON	CALCIUM	ALUMINUM	STONE LOAD	RPM	REMARKS
					mg/l	mg/l	mg/l	mg/l	mg/l	mg/l	mg/l	% full		
22 11/15/79 5:30 PM	0.500	0	3.90	3.80	16	78	0	155	1.10	12.2	10.00			
		1	5.20	4.80	0	26	6	155	1.20	27.2	8.20	74.0	4.0	
		2	5.50	6.20	0	3	22	170	1.30	49.4	8.80	74.0	6.0	
		3	6.00	6.80	0	0	48	170	1.40	67.4	10.50	74.0	6.0	
		4	6.00	7.10	0	0	44	170	1.20	56.5	8.00			
23 11/15/79 11:00 PM	0.500	0	3.80	3.80	16	86	0	155	1.10	11.6	9.50			
		1	5.20	4.70	0	36	8	155	1.20	30.2	9.90	71.0	5.0	
		2	5.20	6.10	0	4	22	165	1.20	45.8	8.90	71.0	6.0	
		3	5.70	6.50	0	0	36	170	1.30	56.9	9.70	71.0	4.8	
		4	5.85	6.70	0	0	30	165	1.50	47.7	3.40			
24 11/16/79 8:00 PM	0.500	0	3.80	3.80	18	78	0	150	1.10	30.1	10.30			
		1	4.90	4.70	0	28	8	155	1.30	28.6	9.80	67.0	4.0	
		2	4.95	5.10	0	10	8	160	1.10	37.5	9.90	67.0	4.5	
		3	6.10	6.50	0	0	34	165	1.20	53.9	9.40	67.0	4.5	
		4	7.85	6.60	0	0	32	150	1.20	46.3	9.30			
25 11/16/79 3:00 PM	0.500	0	4.00	3.80	20	80	0	155	1.00	13.5	8.70			
		1	4.70	4.80	0	26	8	150	1.10	30.7	8.80	63.0	4.0	
		2	5.00	5.00	0	14	6	155	1.10	34.9	8.90	63.0	4.0	
		3	5.30	6.30	0	2	30	170	1.20	47.1	8.70	63.0	4.3	
		4	5.55	6.40	0	2	22	175	0.70	47.8	4.30			
26 11/16/79 11:15 PM	0.390	0	3.85	3.80	20	80	0	135	1.00	12.9	9.30			
		1	4.95	4.70	0	46	6	155	1.10	21.4	8.00	59.0	3.8	
		2	5.20	5.50	0	8	8	170	1.20	47.1	9.00	59.0	5.0	
		3	5.75	6.40	0	2	32	180	1.20	51.4	9.20	59.0	4.0	
		4	5.95	6.30	0	2	26	175	1.20	47.1	8.60			
27 11/17/79 8:00 AM	0.480	0	4.00	3.80	16	82	0	135	1.10	13.5	9.80			
		1	5.20	4.60	0	52	6	160	1.20	21.7	9.60	56.0	4.0	
		2	4.80	5.40	0	10	10	170	1.30	38.4	9.30	56.0	3.0	
		3	5.80	6.20	0	4	30	180	1.30	46.6	9.20	56.0	4.0	
		4	5.90	6.20	0	4	24	180	1.20	42.2	8.70			
28 11/17/79 3:00 PM	0.440	0	3.75	3.80	24	96	0	145	1.10	12.2	8.20			
		1	4.75	4.60	0	54	8	155	1.20	20.5	9.90	52.0	6.0	
		2	5.05	5.50	0	7	8	175	1.20	31.9	8.70	52.0	5.0	
		3	5.45	6.20	0	3	26	180	1.20	44.0	9.10	52.0	4.8	
		4	5.75	6.20	0	3	20	185	1.20	40.8	8.70			
29 11/17/79 11:00 PM	0.480	0	3.90	3.80	20	84	0	145	1.20	12.9	9.20			
		1	4.90	4.70	0	42	8	165	1.20	25.0	9.30	48.0	3.6	
		2	5.00	5.50	0	6	8	175	1.20	24.4	8.30	48.0	3.6	
		3	5.40	6.20	0	5	24	185	1.40	44.4	9.80	48.0	3.8	
		4	5.65	6.10	0	3	20	185	1.38	43.0	8.00			
30 11/18/79 8:00 AM	0.480	0	3.90	3.80	20	80	0	150	1.10	11.9	8.40			
		1	4.80	4.70	0	50	8	165	1.10	20.7	13.00	45.0	4.0	
		2	5.00	5.30	0	10	8	175	1.20	33.3	9.50	45.0	4.0	
		3	5.60	6.10	0	3	22	185	1.20	47.0	12.00	45.0	4.0	
		4	5.85	6.20	0	3	16	185	1.20	44.1	8.10			
31 11/18/79 3:30 PM	0.440	0	3.75	3.80	20	82	0	155	1.10	12.7	9.20			
		1	4.65	4.60	0	64	6	135	1.10	17.7	9.80	42.0	3.9	
		2	5.05	5.00	0	14	6	140	1.20	26.8	9.90	42.0	3.8	
		3	5.35	5.90	0	4	18	135	1.30	46.4	8.90	42.0	3.8	
		4	5.85	6.10	0	4	16	135	1.10	42.9	8.30			

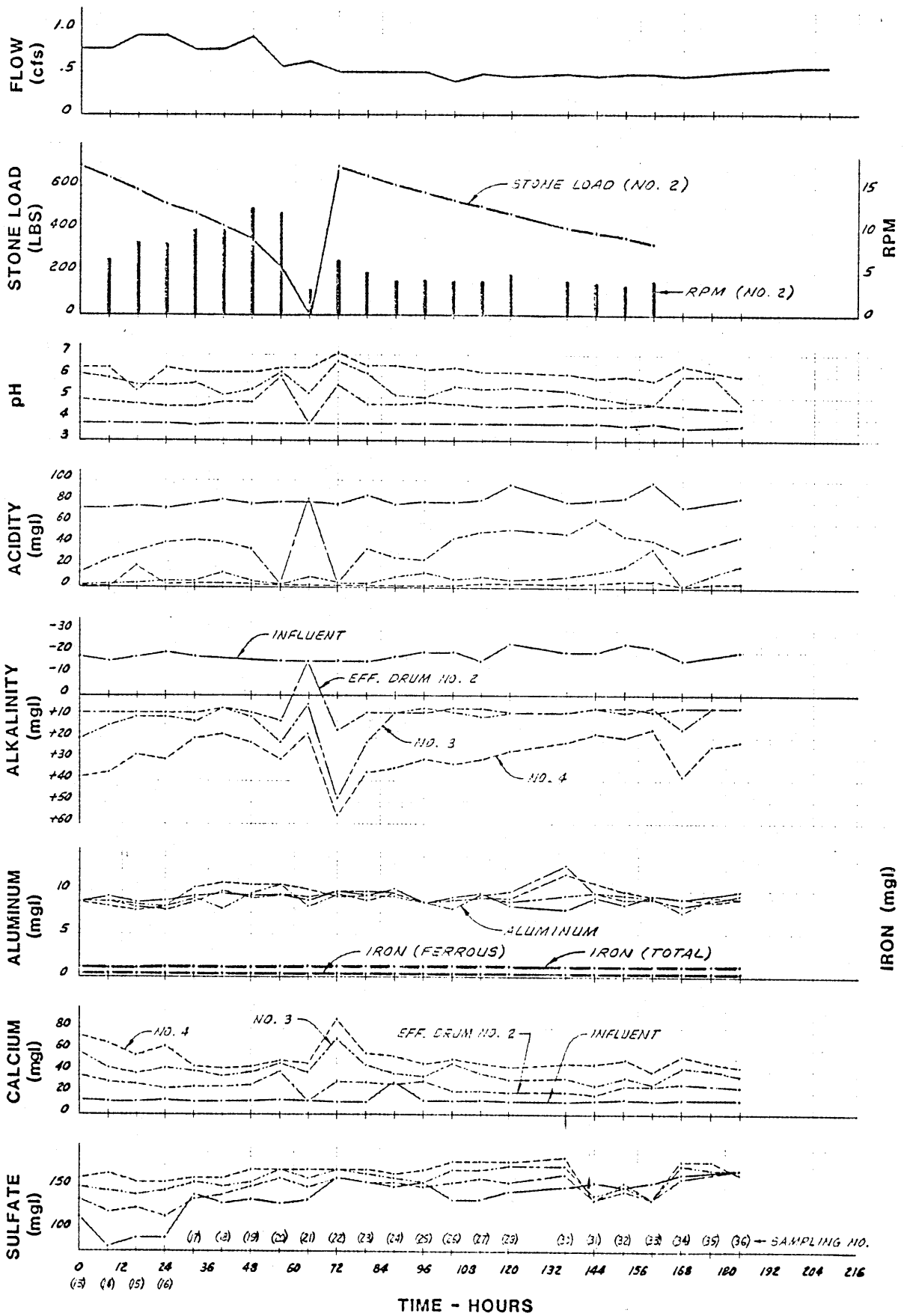
RUN NO. 2

DRUMS #2, 3 & 4

SAMPLING NO.	FLOW	LOCATION	FIELD pH	LAB pH	FREE ACIDITY	ACIDITY	ALKALINITY	SULFATES	IRON	CALCIUM	ALUMINUM	STONE LOAD	RPM	REMARKS
					mg/l	mg/l	mg/l	mg/l	mg/l	mg/l	mg/l	% full		
32 11/18/79 11:30 PM	0.480	0	3.85	3.70	24	84	0	150	0.70	13.7	8.40			
		1	5.10	4.60	0	48	6	145	1.10	25.6	9.00	40.0	3.7	
		2	4.85	4.80	0	20	8	150	1.30	33.5	9.50	40.0	3.8	
		3	5.45	6.00	0	6	20	155	1.40	50.3	9.90	40.0	3.8	
		4	5.60	5.90	0	6	24	155	1.30	42.6	9.10			
33 11/19/79 8:00 AM	0.480	0	3.85	3.80	22	98	0	155	1.50	12.2	9.40			
		1	5.00	4.70	0	44	8	135	1.30	25.7	9.00	37.0	4.0	
		2	5.00	4.70	0	36	6	135	1.10	26.6	9.20	37.0	4.0	
		3	5.50	5.80	0	6	16	135	1.30	39.4	9.30	37.0	4.0	
		4	5.90	5.80	0	5	12	150	1.20	36.9	9.10			
34 11/19/79 4:00 PM	0.440	0	3.70	3.60	16	76	0	165	1.30	13.4	9.10			STONE ADDED
		1	4.80	4.60	0	32	6	160	1.20	28.1	8.20	76.0	6.5	
		2	5.20	6.00	0	2	16	175	1.20	43.7	7.50	76.0	6.2	
		3	5.60	6.50	0	0	38	180	1.30	54.0	9.00	76.0	5.5	
		4	5.60	6.20	0	6	20	180	1.20	43.0	6.80			
35 11/19/79 11:20 PM	0.480	0	3.70											
		1	4.85									71.0	5.5	
		2	5.00	6.00	0	12	6	170	1.30	40.9	9.30	71.0	5.0	
		3	5.30	6.20	0	4	24	180	1.30	47.3	8.80	71.0	4.5	
		4	5.65	6.20	0	8	22	180	1.20	42.6	8.50			
36 11/20/79 8:00 AM	0.500	0	3.80	3.70	20	84	0	170	1.20	13.6	9.90			
		1	4.90	4.50	0	48	6	170	1.20	24.7	9.50	69.0	5.0	
		2	4.95	4.70	0	20	6	170	1.30	34.7	9.10	69.0	5.0	
		3	5.65	6.00	0	4	22	165	1.30	43.1	9.00	69.0	5.5	
		4	5.65	6.00	0	4	14	160	0.90	44.0	5.60			
37 11/20/79 3:30 PM	0.500	0	3.75											
		1	4.90									66.0	6.0	
		2	4.60									66.0	6.5	
		3	5.45									66.0	5.0	
		4	6.30											
37 11/20/79 7:00 PM	0.500	0	3.75											
		1	4.70									64.0	6.0	
		2	4.90									64.0	6.2	
		3	5.20									64.0	5.0	
		4	5.80											
38 11/20/79 11:00 PM	0.550	0	3.80											
		1	4.85									62.0	4.9	
		2	5.00									62.0	4.9	
		3	5.20									62.0	4.5	
		4	5.80											
39 11/21/79 8:00 AM	0.550	0	3.70											
		1	4.90										4.5	
		2	5.05										4.0	
		3	5.10										4.0	
		4	6.00											
39 11/21/79 11:00 AM	0.550	0	3.80											
		1	4.85										4.0	
		2	5.00										5.0	
		3	5.30										4.0	
		4	5.70											

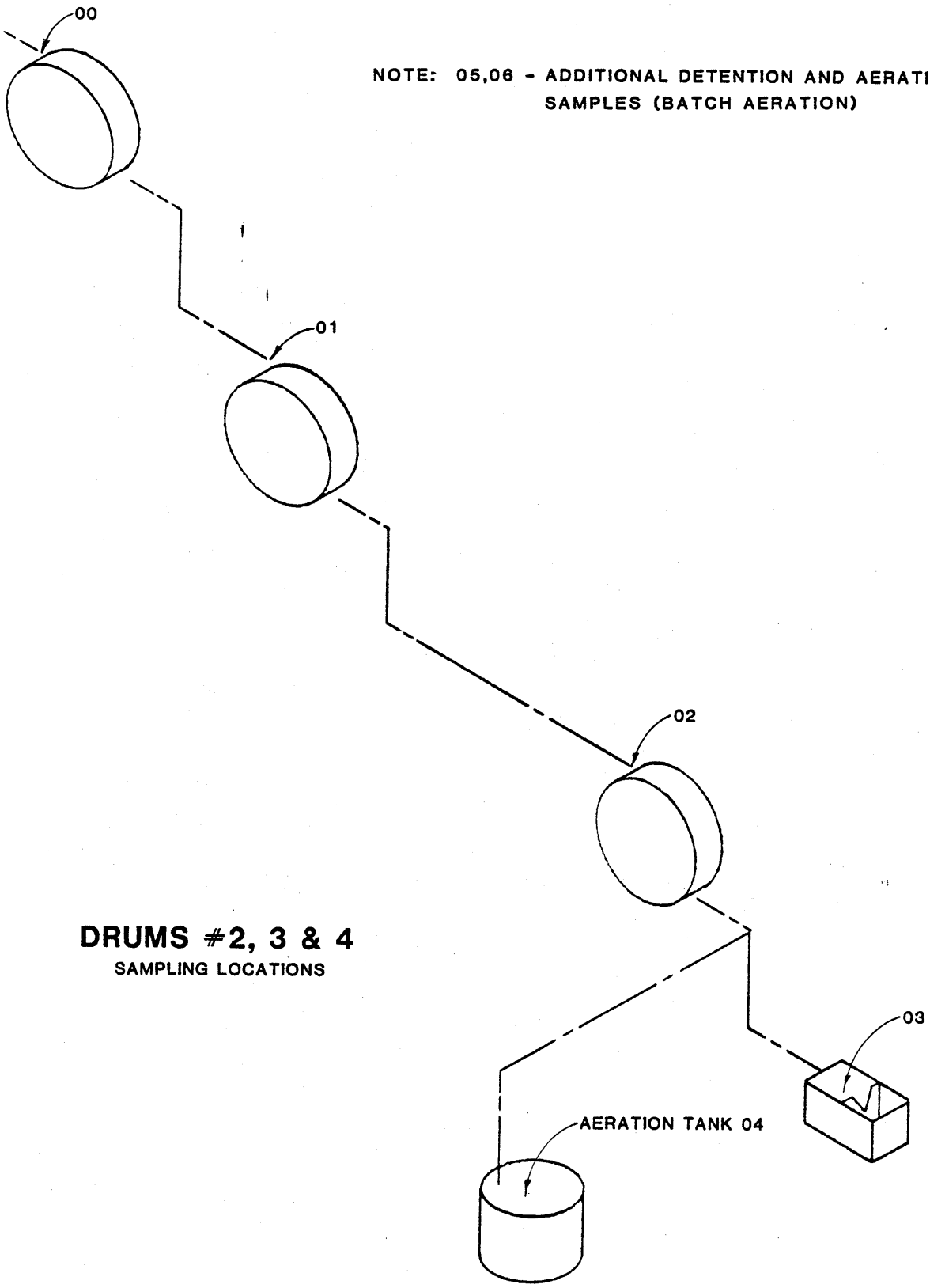
**NO SAMPLES TAKEN.
TIME USED IN AN ATTEMPT
TO DETERMINE USE RATES
DURING SAMPLES 37-39**

RUN NO. 2



DRUMS 2, 3, & 4 SAMPLING 13 THRU 39

NOTE: 05,06 - ADDITIONAL DETENTION AND AERATION
SAMPLES (BATCH AERATION)



DRUMS #2, 3 & 4
SAMPLING LOCATIONS

DRUMS #2, 3 & 4

SAMPLING NO.	FLOW	LOCATION	FIELD pH	LAB pH	FREE ACIDITY	ACIDITY	ALKALINITY	SULFATES	IRON	CALCIUM	ALUMINUM	MAGNESIUM	STONE LOAD	RPM
					mg/l	mg/l	mg/l	mg/l	mg/l	mg/l	mg/l	mg/l	% full	
40	0.910	0	3.80	3.60	18	76	0	115	1.16	11.5	9.16			
5/19/79		1	4.60	4.40	1	42	4	140	1.27	22.1	8.96		51.0	7.5
5:00 PM		2	4.80	4.80	0	14	6	150	1.29	33.6	9.16		51.0	7.0
		3	5.20	6.10	0	0	25	160	1.40	42.7	8.94		51.0	5.0
		4	5.30	6.00	0	1	18	155	1.33	39.3	8.76			
		5	5.30	6.10	0	0	22	155	1.37	42.3	9.00			
41	0.543	0	3.80	3.60	18	74	0	105	1.32	41.9	8.76			
5/19/80		1	4.50	4.40	1	44	4	140	1.21	21.3	8.58		49.5	7.5
8:00 PM		2	4.90	4.90	0	10	5	155	1.24	32.3	8.52		49.5	7.0
		3	5.30	6.00	0	1	22	160	1.45	42.2	8.70		49.5	6.0
		4	5.50	6.00	0	6	16	155	1.25	38.9	8.44			
		5	5.40	6.20	0	2	22	155	1.31	40.3	8.52			
		6	5.40	6.10	0	2	22	155	1.18	11.5	8.96			
42	0.910	0	3.70	3.60	20	74	0	140	1.17	12.6	9.04			
5/19/80		1	4.60	4.40	1	42	4	165	1.18	23.6	8.54		48.0	7.2
11:00 PM		2	4.90	4.70	0	18	4	170	1.22	35.7	8.04		48.0	6.8
		3	5.80	5.90	0	1	18	180	1.26	42.5	9.54		48.0	6.0
		4	6.00	5.90	0	2	15	180	1.24	39.5	8.06			
43	0.875	0	3.90	3.60	18	74	0	150	1.14	12.6	9.58			
5/20/80		1	4.80	4.40	1	48	4	170	1.18	25.5	8.84		47.0	6.7
3:00 AM		2	5.10	4.90	0	12	6	175	1.22	34.6	8.66		47.0	6.2
		3	5.50	6.00	0	4	16	185	1.25	39.3	8.82		47.0	5.0
		4	5.90	6.20	0	4	14	180	1.22	40.0	8.40			
44	0.840	0	3.70	3.60	22	74	0	145	1.13	12.1	8.72			
5/20/80		1	4.60	4.40	1	48	4	165	1.18	22.1	8.62		46.0	8.0
8:00 AM		2	5.40	4.60	0	14	6	165	1.21	29.7	8.54		46.0	7.0
		3	5.50	6.00	0	4	16	170	1.26	40.8	4.34		46.0	5.0
		4	5.70	6.00	0	2	12	170	1.20	39.7	4.22			
45	0.980	0	3.80	3.60	18	78	0	165	1.21	11.9	8.40	13.8		
5/20/80		1	4.50	4.40	2	48	4	170	1.21	22.4	8.58		44.0	8.0
12:00 PM		2	4.60	4.70	0	16	5	175	1.26	29.0	8.46		45.0	7.0
		3	5.30	5.90	0	4	14	180	1.30	42.9	8.18		45.0	6.0
		4	5.70	5.70	0	2	10	175	1.29	37.1	8.88	14.5		
46	0.910	0	3.60	3.60	24	78	0	155	1.11	13.8	9.44	13.6		
5/20/80		1	4.30	4.40	4	42	5	150	1.17	22.3	9.28		43.0	8.0
4:00 PM		2	4.50	5.00	0	8	6	150	1.24	31.0	9.64		43.5	8.5
		3	5.20	6.00	0	8	12	155	1.26	35.6	8.58		43.5	5.0
		4	5.60	5.70	0	6	8	150	1.21	32.8	8.76	11.9		
47	0.910	0	3.80	3.60	26	78	0	150	1.10	13.3	9.40	13.0		
5/20/80		1	4.60	4.40	4	46	4	155	1.21	22.0	9.42		40.0	8.0
8:00 PM		2	5.10	4.70	0	14	5	150	1.24	30.6	9.56		39.5	8.5
		3	5.70	6.00	0	4	14	155	1.41	38.7	9.56		39.5	5.5
		4	6.10	5.80	0	4	8	155	1.25	32.8	8.52	11.6		
48	0.910	0	3.90	3.60	24	74	0	150	1.22	12.9	9.34	13.0		
5/21/80		1	4.60	4.40	3	58	4	150	1.45	22.2	9.42		36.0	8.4
12:00 AM		2	5.00	4.60	0	24	4	150	1.30	28.3	9.08		36.0	7.7
		3	5.60	5.80	0	2	10	155	1.37	36.9	8.72	12.8	36.0	5.5
		4	5.90	5.60	0	3	8	155	1.32	36.5	8.64	12.8		
49	0.780	0	3.80	3.60	22	76	0	150	1.12	12.9	9.40	12.7		
5/21/80		1	4.75	4.40	3	52	5	155	1.18	20.9	9.52		34.0	7.4
4:00 AM		2	4.85	4.60	0	26	5	150	1.25	29.1	8.52		34.0	6.9
		3	5.10	5.60	0	3	8	155	1.22	36.2	9.08		35.5	4.6
		4	5.25	5.40	0	4	6	150	1.22	36.2	8.46	13.6		

RUN NO. 3

DRUMS #2, 3 & 4

SAMPLING NO.	FLOW	LOCATION	FIELD pH	LAB pH	FREE ACIDITY	ACIDITY	ALKALINITY	SULFATES	IRON	CALCIUM	ALUMINIUM	MAGNESIUM	STONE LOAD	RPM
					mg/l	mg/l	mg/l	mg/l	mg/l	mg/l	mg/l	mg/l	% full	
	cfs													
50 5/21/80 8:00 AM	0.840	0	3.80	3.60	42	74	0	150	1.13	13.6	8.92			
		1	4.60	4.40	12	48	4	165	1.17	22.3	8.90	13.7		
		2	4.80	4.60	0	20	5	145	1.21	29.7	9.28		32.0	9.0
		3	5.10	5.40	0	3	8	155	1.23	36.2	8.46		32.0	8.0
		4	5.20	5.20	0	3	6	150	1.20	32.4	8.42	13.6	32.0	6.0
											12.6			
51 5/21/80 12:00 PM	1.090	0	3.80	3.60	32	70	0	150	1.14	13.2	9.22			
		1	4.70	4.40	8	48	5	155	1.24	22.7	9.06	12.6		
		2	4.80	4.60	0	20	5	150	1.29	31.3	8.80		43.0	10.0
		3	5.10	5.90	0	2	10	160	1.37	33.9	8.74		43.0	8.5
		4	5.20	5.40	0	8	6	155	1.28	35.8	8.64	14.0	43.0	7.5
		5	6.00	6.40	0	0	50	165	1.43	63.0	8.62			
		6	6.00	6.60	0	0	28	165	1.30	48.0	8.54			
52 5/21/80 4:00 PM	0.750	0	4.00	3.60	34	74	0	145	1.20	12.4	8.96	13.6		
		1	4.60	4.40	4	42	4	140	1.23	35.8	8.78			
		2	4.90	4.90	0	10	5	140	1.29	35.6	9.58			7.5
		3	5.70	6.40	0	0	28	145	1.34	44.5	8.38			8.0
		4	6.00	6.90	0	0	36	140	1.32	57.6	8.10	14.8		5.2
53 5/21/80 8:00 PM	0.750	0	3.90	3.60	28	74	0	110	1.15	12.3	8.82	13.7		
		1	4.70	4.40	6	56	4	125	1.22	18.5	9.16			
		2	5.00	4.50	0	30	5	120	1.31	28.1	8.56			8.0
		3	5.20	4.70	0	12	5	125	1.29	33.7	8.92			9.0
		4	5.60	4.90	0	8	5	155	1.31	36.4	8.70	14.4		4.5
54 5/22/80 12:00 AM	0.750	0	4.20	3.60	30	76	0	140	1.20	13.0	9.54			
		1	4.70	4.30	6	50	4	155	1.24	16.4	8.76			
		2	4.90	4.50	0	32	5	150	1.28	22.4	8.56		26.0	8.5
		3	5.00	4.60	0	22	5	150	1.27	28.0	8.60		26.0	9.9
		4	5.30	5.70	0	4	6	160	1.32	30.6	8.04	28.5		4.6
55 5/22/80 4:00 AM	0.750	0	4.30	3.60	26	74	0	145	1.15	10.8	8.76	15.1		
		1	4.90	4.30	8	54	4	155	1.22	19.1	8.90			
		2	5.10	4.50	0	26	5	155	1.24	30.3	8.32			9.7
		3	5.20	4.60	0	18	4	155	1.23	32.6	8.40			11.0
		4	5.70	5.80	0	4	6	160	1.27	35.3	8.08	15.1		4.6
56 5/22/80 8:00 AM	0.750	0	3.80	3.60	26	76	0	145	1.19	12.8	8.74	15.5		
		1	4.40	4.30	6	50	4	155	1.23	20.1	8.70		43.0	15.5
		2	4.80	5.90	0	2	12	165	1.32	36.8	8.10		43.0	15.5
		3	5.20	6.00	0	2	15	160	1.71	42.0	8.00		43.0	5.5
		4	6.00	6.70	0	0	22	180	1.20	46.9	9.16	15.1		
57 5/22/80 12:00 PM	0.750	0	3.70	3.60	30	72	0	135	1.32	14.1	8.88	15.8		
		1	4.50	4.50	0	36	4	155	1.37	27.3	9.14			
		2	4.60	6.30	0	0	26	175	1.42	38.3	10.10			7.5
		3	5.00	6.90	0	0	58	170	1.95	73.1	8.28			7.0
		4	5.60	7.00	0	0	40	170	1.14	89.6	10.40	16.8		4.5
58 5/22/80 4:00 PM	0.750	0	3.80	3.70	22	78	0	140	1.23	12.7	8.98	14.8		
		1	4.40	4.40	4	66	4	155	1.34	17.0	9.20		28.5	7.5
		2	4.60	4.50	0	52	5	150	1.38	17.1	8.48		30.0	7.3
		3	4.70	4.70	0	24	5	155	1.44	25.0	9.46	17.7	30.0	4.1
		4	4.90	6.20	0	1	22	175	1.57	40.8	9.94	18.6		
59 5/22/80 8:00 PM	0.750	0	4.00	3.70	20	74	0	145	1.28	12.8	9.72	14.8		
		1	4.80	4.30	6	62	4	160	1.31	15.8	9.74		27.5	7.6
		2	4.80	4.50	0	48	5	155	1.37	19.5	9.40		28.5	7.6
		3	4.80	4.60	0	30	5	155	1.41	22.4	9.68	17.6	28.5	4.2
		4	4.80	4.60	0	38	5	155	1.42	21.5	9.50	16.8		

STONE ADDED

STONE ADDED

LOW CALCIUM STONE

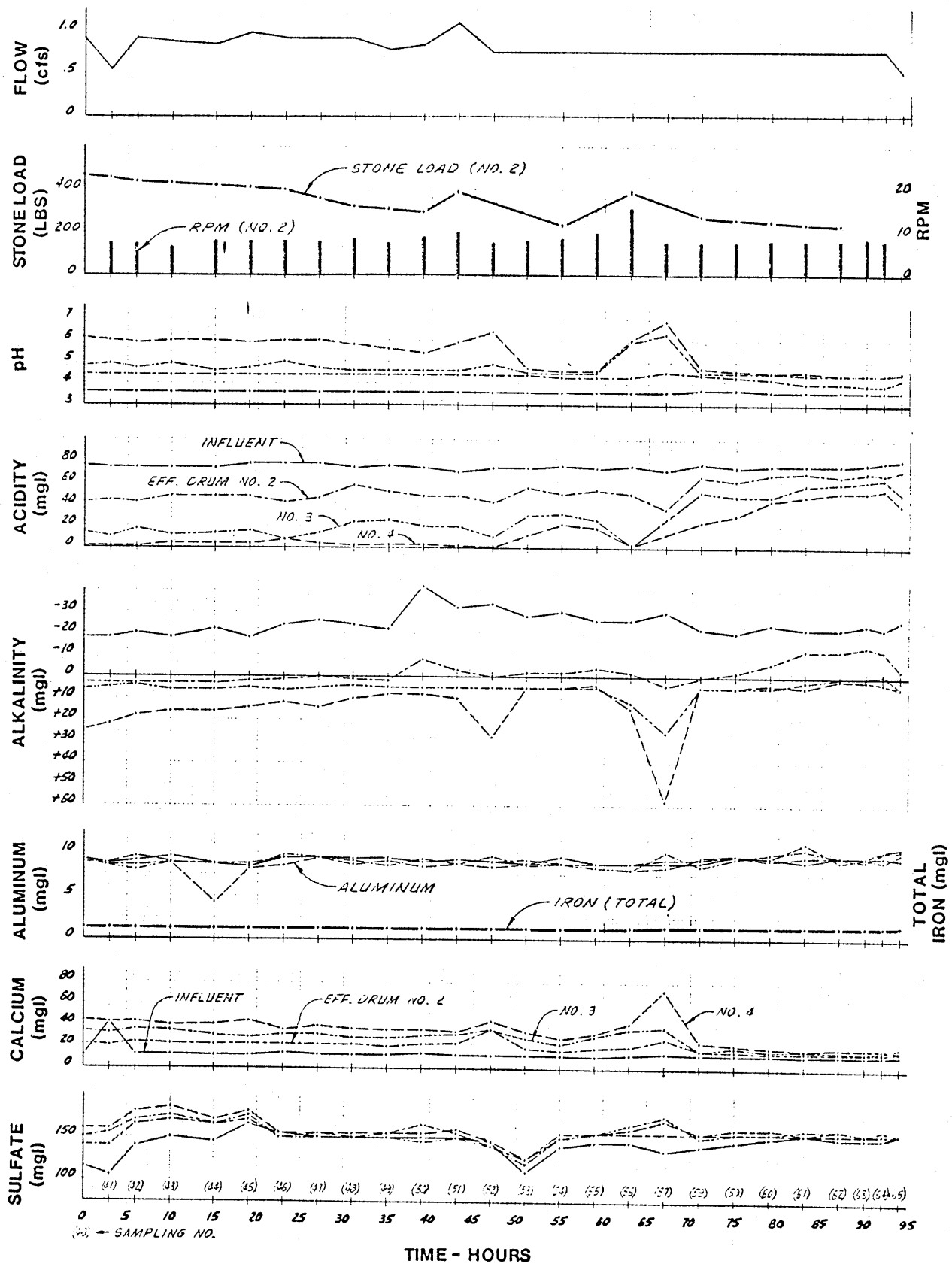
RUN NO. 3

DRUMS #2, 3 & 4

SAMPLING NO.	FLOW cfs	LOCATION	FIELD pH	LAB pH	FREE ACIDITY	ACIDITY	ALKALINITY	SULFATES	IRON	CALCIUM	ALUMINIUM	MAGNESIUM	STONE LOAD	RPM			
					mg/l	mg/l	mg/l	mg/l	mg/l	mg/l	mg/l	mg/l	% full				
60 5/23/80 12:00 AM	0.750	0	4.10	3.60	24	76	0	150	1.25	12.6	9.40	14.8	27.0	8.0			
		1	4.40	4.20	8	68	2	160	1.32	14.3	9.36				27.5	8.0	
		2	4.80	4.50	0	48	5	155	1.36	16.5	9.94				27.5	8.0	
		3	4.90	4.50	0	44	4	155	1.41	19.7	9.20				27.5	8.0	
61 5/23/80 4:00 AM	0.750	4	5.10	4.50	0	40	5	155	1.40	20.7	9.46	16.0	26.5	8.0			
		0	4.20	3.60	22	76	0	155	1.24	12.1	8.92	13.5			26.5	8.0	
		1	4.90	4.00	12	70	0	155	1.27	14.6	11.08	26.5			8.0		
		2	5.00	4.40	2	58	4	160	1.38	18.0	10.38	26.5			8.0		
62 5/23/80 8:00 AM	0.750	3	5.10	4.50	0	48	5	155	1.39	17.5	9.54	15.9	26.5	4.0			
		4	5.10	4.50	0	44	4	150	1.39	18.0	9.38				15.9	26.5	4.0
		0	3.70	3.60	22	76	0	150	1.26	12.6	9.60				14.3	26.0	8.0
		1	4.30	4.00	12	66	0	160	1.34	15.0	9.02				14.3		
2	4.50	4.40	4	60	4	160	1.35	16.8	9.40	14.8	26.0	7.0					
3	4.60	4.40	4	52	5	155	1.42	19.0	9.60	14.8	26.0	4.5					
63 5/23/80 11:00 AM	0.750	4	4.80	4.50	0	54	5	155	1.39	15.9	9.32	14.8	14.7	8.5			
		0	3.90	3.60	24	78	0	150	1.25	12.2	9.50	14.7			8.5	8.0	
		1	4.00	3.90	14	70	0	155	1.33	14.9	9.62	14.7			8.0	8.0	
		2	4.30	4.40	4	62	4	155	1.39	15.8	9.14	15.4			8.0	4.5	
64 5/23/80 1:00 PM	0.750	3	4.60	4.40	2	52	4	155	1.44	18.6	9.54	15.4	10.24	6.0			
		4	4.60	4.50	0	42	5	155	1.64	22.4	9.58				15.4	10.20	6.0
		0	3.70	3.60	22	80	0	150	1.25	12.6	9.58				15.6	9.06	8.0
		1	4.00	3.90	12	68	0	155	1.34	14.5	9.06				15.6	9.06	8.0
65 5/23/80 3:00 PM	0.500	2	4.20	4.40	6	64	5	160	1.45	16.7	10.24	15.8	10.20	6.0			
		3	4.60	4.40	2	54	5	155	1.52	18.2	10.20				15.8	9.08	6.0
		4	4.40	4.40	2	54	5	155	1.44	17.4	9.08				15.8	9.08	6.0
		0	4.30	3.60	26	82	0	155	1.29	13.1	9.34				14.7	9.34	5.8
		1	4.40	4.20	6	72	3	155	1.39	17.1	9.92	16.8	10.32	5.5			
		2	4.50	4.50	0	50	5	155	1.54	20.6	10.32				16.8	9.40	5.5
		3	4.60	4.50	0	40	5	155	1.63	18.7	10.54				16.8	9.40	5.5
		4	4.70	4.40	2	54	5	155	1.52	17.9	9.40				16.8	9.40	5.5

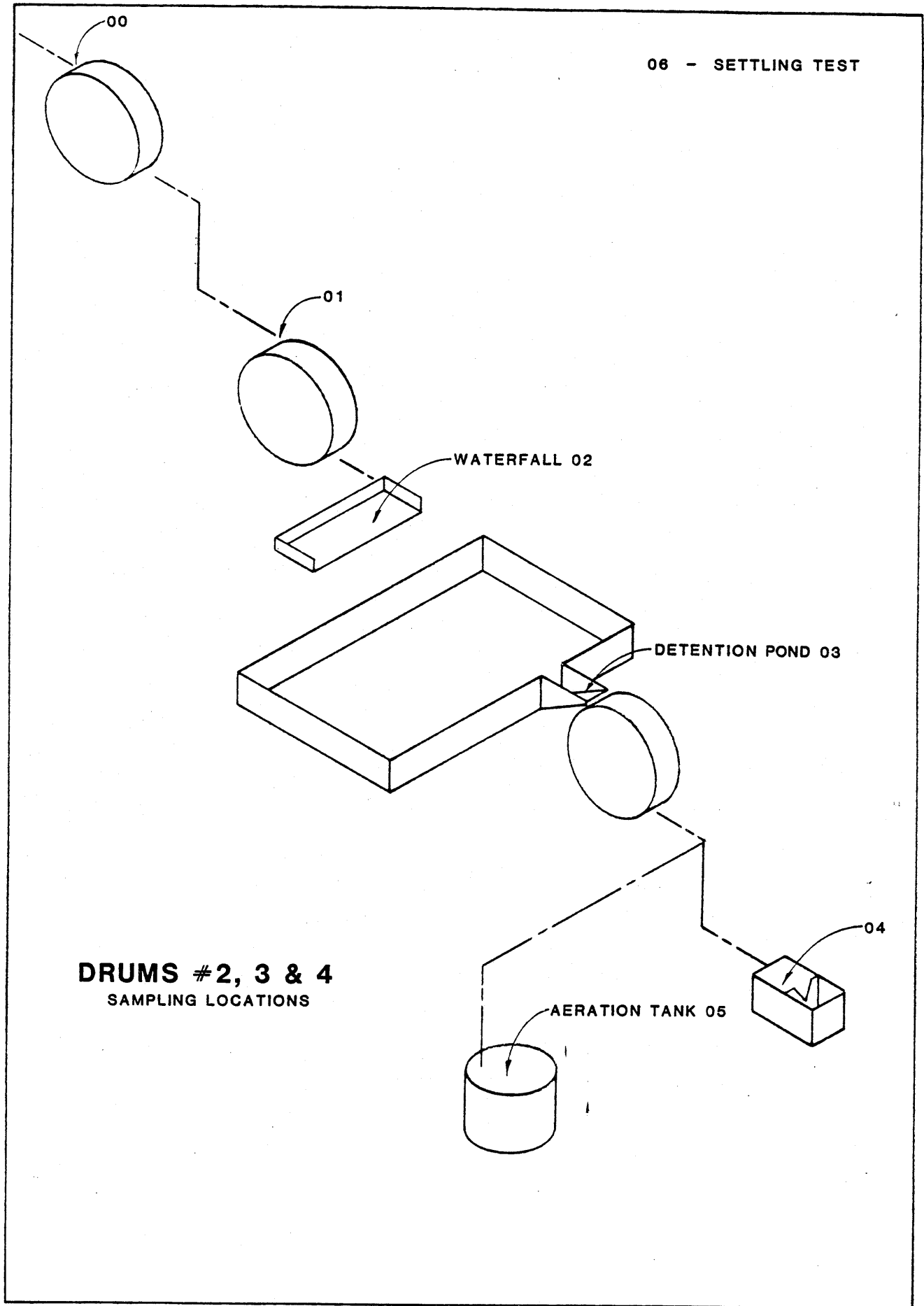
LOW CALCIUM STONE

RUN NO. 3



DRUMS 2, 3 & 4 SAMPLING 40 THRU 65

06 - SETTLING TEST



TUMBLING DRUMS

SAMPLE NO.	FLOW cfs	LOCATION	HOT pH	COLD pH	HOT ACIDITY	COLD ACIDITY	HOT ALKALINITY	COLD ALKALINITY	IRON	CALCIUM	ALUMINUM	AERATION TIME		STONE LOAD	RPM
					mg/l	mg/l	mg/l	mg/l				hrs.	% full		
66 7/20/81 7:00	0.50	0							0.36	18.5	14.44				
		1							1.57	37.1	12.33				
		2							1.90	65.4	14.09				
		3							1.97	64.1	14.31				
		4						1.75	69.0	12.68					
67 7/21/81 7:00	0.74	0		3.80		140		-50	0.43	17.6	12.48			23	11.5
		1		5.30		110		8	1.23	43.1	10.80				14.0
		2		5.60		84		10	1.10	64.6	8.48				10.5
		3		5.70		70		16	1.79	61.7	13.34				
		4		6.70		56		30	1.16	70.2	8.28				
		5	7.00	7.00	14	42	18						0.0		
		5	8.00	7.40	2	12	32						0.5		
		5	7.40	7.10	10	10	26						1.5		
		5	7.40	7.00	14	14		34				2.5			
68 7/21/81 3:00	0.41	0	3.50	3.80	106	128	-64	-24	0.50	16.8	13.88				
		1	3.90	5.00	74	84		6	1.64	41.9	11.34			16	6.7
		2	4.80	5.10	38	62	-32	6	1.94	55.6	13.74				5.6
		3	4.90	5.40	32	48		8	1.57	62.1	11.78				4.1
		4	7.40	6.10	10	34		8	2.02	68.0	14.00				
		5	7.35	6.75	18	54		22					0.0		
		5	7.40	6.80	10	22		34					1.0		
		5	7.40	7.40	12	32							2.0		
		5	7.80	8.00	4	6		38					3.0		
		5	7.50	7.20	10	20		18					4.0		
		5	7.40	6.80	10	34		48				5.0			
69 7/21/81 7:30	0.67	0	3.30	3.75	72	122	-44	-22	0.37	16.3	12.46				
		1	4.00	5.20	27	80		8	1.93	65.4	13.47			9	20.0
		2	7.30	5.50	16	64	-4	20	1.41	88.9	10.79				17.1
		3	7.00	5.70	10	54		8	1.85	88.3	13.23				8.6
		4	7.50	6.45	4	46		32	1.86	91.8	13.53				
70 7/22/81 7:00	0.57	0	3.20	3.60	114	140	-74	-34	0.49	15.8	12.71				
		1	3.50	4.30	88	106	-60	-8	0.25	16.7	13.34			0	40.0
		2	3.50	5.00	86	120	-46	10	0.50	18.1	13.14				42.9
		3	3.50	5.00	80	92	-50	8	0.53	18.5	13.69				11.5
		4	3.40	5.50	76	80	-40	10	1.74	33.3	12.26				
		5	3.80	5.70	45	56	-12	10					0.0		
		5	4.50	5.40	28	44		2					0.5		
		5	5.20	6.20	25	30		10					1.0		
		5	5.50	7.30	24	20		30					1.5		
		5	5.70	6.80	22	20		6					2.0		
		5	5.80	6.90	22	16		8					2.5		
				5	6.50	7.20	19	18		10				3.0	
71 7/22/81 1:00	0.67	0	3.50	3.70	108	134	-68	-42	0.72	15.3	13.22				
		1	3.80	5.30	54	98	-23	6	1.77	43.5	13.06			17	10.7
		2	5.70	5.40	24	66		8	1.88	76.8	13.23				11.8
		3	6.20	6.80	18	50		12	1.87	68.2	13.53				8.6
		4	7.40	7.30	13	34		24	1.77	142.0	11.50				
72 7/22/81 4:00	0.69	0	3.30	3.80	110	128	-64	-30	0.45	16.5	13.82				
		1	3.70	5.00	46	100		10	1.94	56.1	13.17			14	17.1
		2	6.50	5.10	18	78	-9	19	1.92	66.7	13.84				18.2
		3	6.20	5.10	18	76		16	1.85	55.8	13.31				13.6
		4	7.10	5.40	12	62		22	1.85	60.1	13.35				
		5	6.80	6.80	24	48		38					0.0		
		5	7.60	6.95	10	28		40					0.5		
		5	7.70	6.70	8	24		48					1.0		
		5	7.70	6.90	8	24		42				1.5			
73 7/22/81 8:30	0.49	0	3.30	3.40	124	138	-78	-50	0.46	17.9	13.14				
		1	3.70	5.05	50	102		10	1.98	51.4	13.65			9	9.7
		2	6.30	5.10	20	84	-38	20	1.79	77.4	12.69				8.3
		3	6.80	5.50	12	64		20	1.34	61.6	9.59				8.6
		4	7.60	6.60	10	44		38	1.58	72.2	10.64				

RUN NO. 4

EMPTY

TUMBLING DRUMS

SAMPLE NO.	FLOW cfs	LOCATION	HOT pH	COLD pH	HOT ACIDITY	COLD ACIDITY	HOT ALKALINITY	COLD ALKALINITY	IRON	CALCIUM	ALUMINUM	AERATION TIME	STONE LOAD		RPM
					mgl	mgl	mgl	mgl					mgl	mgl	
74 7/22/81 1030	0.49	0	3.40	3.80	108	147	-70	-20	0.49	16.3	13.47		7	10.9	
		1	3.70	5.35	54	100	-20	20	1.81	49.8	11.93				
		2	6.20	5.50	20	62		18	2.06	68.3	14.57				
		3	6.70	5.60	14	64		18	1.78	67.5	12.68				
		4	7.50	6.30	8	38		36	1.91	82.5	12.81				
76 7/23/81 700	0.51	0	3.40	3.60	106	138	-68	-30	0.67	15.9	13.10		0	35.3	EMPTY
		1	3.50	4.90	86	116	-58	3	0.35	18.0	12.57				
		2	3.50	4.60	74	108		1	0.22	18.8	14.34				
		3	3.70	5.60	62	88		9	0.96	29.4	11.69				
		4	3.85	5.20	46	86		8	1.49	41.6	10.04				
77 7/23/81 1E00	0.51	0	3.40	3.80	120	120	-72	-24	0.47	16.4	13.76		14	7.2	
		1	3.70	5.30	54	82	-16	10	1.47	42.0	10.90				
		2	5.60	6.00	26	46		16	1.57	77.3	11.12				
		3	6.30	6.00	22	44		16	1.67	61.3	12.14				
		4	6.70	6.50	20	44		30	1.84	93.7	12.64				
		5	7.00	8.00	26	14		36							
		5	7.10	6.90	20	20		64			0.0				
		5	7.10	6.90	26	24		76			0.5				
		5	7.10	6.90	33	18		56			1.0				
		5	6.90	7.20							1.5				
78 7/23/81 330	0.49	0	3.70	3.70	110	126		-32	0.42	19.8	13.81		15	6.9	
		1	3.90	5.10	52	70	4	10	1.76	44.3	12.31				
		2	5.30	4.95	24	66	6	10	1.73	70.8	12.97				
		3	6.10	5.25	20	54	7	12	0.89	64.2	10.92				
		4	7.80	6.20	6	46	26	30	1.38	92.7	9.53				
		5	7.60	6.30	8	36	31	36							
		5	7.90	6.60	6	24	38	40			0.0				
		5	7.60	6.70	6	20	46	42			0.5				
		5	7.90	6.70	4	22		46			1.0				
		5									1.5				
79 7/23/81 700	0.64	0	3.60	3.80	90	134	-42	-20	0.49	17.3	13.59		11	15.4	
		1	3.90	5.20	36	100	-8	22	1.70	62.5	11.45				
		2	6.40	5.40	20	58		18	1.86	121.0	13.10				
		3	7.30	6.00	14	62		24	1.08	103.7	8.14				
		4	7.50	6.00	12	50		22	1.97	125.0	13.28				
80 7/23/81 9:30	0.64	0	3.40	3.80	100	124	-54	-20	0.44	17.8	12.97		11	20.7	
		1	4.00	5.25	42	76	-8	18	1.85	71.2	12.88				
		2	7.20	5.80	16	52		26	1.82	94.8	12.55				
		3	7.60	6.40	12	48		32	1.75	125.0	12.32				
		4							1.66	115.0	11.67				
81 7/24/81 900	0.69	0	-1.00	3.60	114	124	-68	-30	0.52	17.4	14.13		11	14.3	
		1	-1.00	5.20	30	72		14	0.35	17.5	12.62				
		2	-1.00	5.10	18	80		24	0.31	18.7	13.27				
		3	-1.00	5.35	8	64		22	0.37	18.0	14.13				
		4	-1.00	5.70	12	56		18	0.45	76.3	13.91				
82 7/24/81 1200	0.51	0	3.70	3.70	120	122	-66	-28	0.46	17.1	13.43		6	16.7	
		1	5.50	4.70	26	96		10	1.89	57.9	12.62				
		2	3.90	5.00	66	80	-24	8	1.74	42.3	10.81				
		3	4.00	4.80	62	100	-22	8	0.83	34.2	9.82				
		4	4.00	4.90	58	98	-16	14	0.58	36.3	7.59				
		5	7.00	6.50	18	38		22							
		5	6.60	5.90	24	36		14			0.0				
		5	6.60	5.80	24	38		14			0.5				
		5	6.60	5.80	24	38		14			2.0				
		5	4.60	5.30	40	50		14			3.0				
83 7/24/81 400	0.65	0	3.30	3.80	118	116	-70	-20	0.55	17.0	13.23		9	14.0	
		1	3.90	5.00	48	72	7	8	1.52	61.4	10.75				
		2	6.80	5.60	24	52	48	18	1.92	115.0	13.48				
		3	7.20	6.20	14	32	16	18	0.89	82.5	6.68				
		4	7.40	6.20	12	28	16	18	1.71	93.4	12.05				
		5	7.40	6.70	16	30		36							
		5	7.40	6.70	16	30		36			0.0				
		5	7.60	6.80	14	24		36			1.0				

RUN NO. 4

TUMBLING DRUMS

SAMPLE NO.	FLOW	LOCATION	HOT pH	COLD pH	HOT ACIDITY		COLD ACIDITY		HOT ALKALINITY		COLD ALKALINITY		IRON	CALCIUM	ALUMINUM	AERATION TIME		STONE LOAD	RPM	
					mg/l	mg/l	mg/l	mg/l	mg/l	mg/l	hrs.	% full								
84 7/24/81 7:00	0.62	0	3.50	3.80	110	118	-70	-20	0.53	16.8	13.65									
		1	3.50	3.90	110	114	-68	-15	0.39	17.4	14.36									
		2	3.50	3.90	110	108	-60	-16	0.32	18.7	14.08							4	42.9	
		3	3.50	4.00	108	104	-60	-15	0.39	19.5	13.10								46.2	
		4	3.80	5.10	64	72	-20		0.92	40.6	8.03								25.0	
		5	6.30	6.30	26	38												0.0		
		5	4.00	5.10	24	42										1.0				
85 7/24/81 8:30	0.69	0	3.30	3.80	120	114	-74	-12	0.59	16.7	13.45									
		1	3.70	5.10	40	64	-7	18	1.12	69.5	7.78									
		2	7.30	7.10	22	24		68	1.94	104.2	12.54								3	16.7
		3	6.40	5.70	24	44		18	1.75	73.6	12.17								18.2	
		4	6.30	6.00	20	34		14	1.73	82.3	11.99								5.7	
		5	7.40	6.90	18	20		88												
		5	7.40	7.30	18	16		48												
86 7/24/81 11:00	0.69	0	3.40	3.80	116	114	-70	-12	0.56	16.5	13.25									
		1	4.00	5.20	40	66	-6	16	1.71	56.2	11.49									
		2	7.00	6.20	22	32		30	1.84	93.1	13.23								12	14.3
		3	7.20	6.30	16	34		40	1.54	74.6	11.14								13.3	
		4	7.30	6.80	15	26		52	1.90	93.3	13.13								4.7	

EMPTY

RUN NO. 4

DRUMS #2, 3 & 4

SAMPLING NO.	LOCATION	MAGNESIUM	MANGANESE	POTASSIUM	SODIUM	SILICA	CHLORIDE	SUSPENDED SOLIDS	TOTAL SOLIDS	RES. DISS.	REMARKS
		mg/l	mg/l	mg/l	mg/l	mg/l	mg/l	mg/l	mg/l	mg/l	SPECIAL TESTS
2	0	20.20	3.06	1.14	4.9	21.620	5.0		504		
3	4	17.00	2.07	2.28	2.9	23.230	4.0		462		
8	0		2.55	1.40	4.5	4.750	6.0		358	32	
8	0		2.65	1.30	4.8	4.860	6.0		370	346	
8	0		2.61	1.32	5.5	4.580	6.0		352	348	
40	0	13.50									
40	4							40			
40	6	13.80						50			
41	0	13.60									
41	4	13.50									
41	6	13.20						58			
42	0	14.80									
42	4	14.50									
43	0	13.80									
43	1	14.20									
43	4	14.40									
44	0	12.50									
44	4	14.20									

DRUM #5

SAMPLING NO.	FLOW	LOCATION	FIELD pH	LAB pH	FREE ACIDITY	ACIDITY	ALKALINITY	SULFATES	IRON	CALCIUM	ALUMINUM	STONE LOAD	RPM	REMARKS
	cfs				mg/l	mg/l	mg/l	mg/l	mg/l	mg/l	mg/l	% full		
0.607	0		3.70						8.00					
	1		3.80	3.90	26	90	0	190	7.21	18.2	13.56			
0.530	0		4.30	4.40	4	72	6	160	1.20	22.8	11.52			
	1		4.50	4.60	0	40	8	165	1.14	33.4	11.16			
	2		4.70	4.80	0	14	8	175	1.14	41.9	11.76			
0.500	0		4.70	4.50	0	54	8	147	0.26	33.2	11.28			
	1		5.10	5.50	0	4	10	179	0.44	59.7	13.56			
0.500	0		4.50	4.50	0	58	6	150	0.30	31.0	9.36			
	1		4.80	4.80	0	14	8	160	0.25	51.0	8.52			
0.500	0		4.60	4.50	0	66	6	165	0.23	27.0	10.92			
	1		4.80	4.70	0	38	6	175	0.29	36.6	10.08			
0.936	0		4.80	4.70	0	46	8	195	0.20	71.0	8.16			
	1		5.00	4.80	0	30	8	210	0.25	84.0	8.64			
0.852	0		4.60	4.70	0	42	8	150	0.38	29.2	7.68			
	1		4.70	4.70	0	42	8	150	0.39	28.5	8.04			
0.391	0		4.80	4.70	0	36	8	150	0.25	26.4	8.28			
	1		4.65	4.70	0	34	10	150	0.24	26.2	7.20			
0.656	0		4.80	4.70	0	42	10	155	0.25	28.3	8.16			
	1		4.95	4.90	0	22	8	160	0.23	34.5	7.20			
0.936	0		5.00	4.70	0	42	8	105	0.28	21.4	7.80			
	1		4.50	4.80	0	26	8	115	0.30	26.3	7.08			
0.500	0		4.80	4.70	0	36	8	110	0.12	25.1	5.60			
	1		5.40	6.10	0	4	16	135	0.38	52.1	5.40			
0.500	0		4.70	4.70	0	42	6	130	0.06	22.3	7.00			
	1		5.00	5.20	0	10	8	145	0.09	31.6	6.90			
0.500	0		4.80	4.80	16	48	8	130	0.09	22.4	7.70			
	1		6.00	6.40	0	4	26	155	0.25	47.4	10.30			
0.500	0		5.10	4.70	0	50	6	130	0.05	19.8	8.10			
	1		6.20	5.20	0	10	4	150	0.08	35.0	7.50			
0.440	0		5.10	4.70	0	48	8	130	0.05	22.4	7.70			
	1		5.20	5.20	0	10	6	155	0.09	33.8	7.40			
0.520	0		4.90	4.70	0	50	6	135	0.06	20.8	7.50			
	1		5.70	4.90	0	20	8	150	0.08	28.0	6.70			
0.500	0		4.90	4.60	0	52	6	146	0.05	22.2	8.70			
	1		4.80	4.90	0	16	8	155	0.08	31.6	8.50			
0.500	0		5.00	4.60	0	54	6	145	0.01	19.3	7.90			
	1		5.20	5.00	0	16	4	150	0.09	32.2	7.90			
0.500	0		4.85	4.60	0	52	6	145	0.04	22.0	7.90			
	1		5.15	4.80	0	22	6	155	0.08	31.7	8.50			

SPECIAL TESTS

INFLUENT TO DRUM NO. 5 FROM BARRIER NO. 1

DRUM #5

SAMPLING NO.	FLOW	LOCATION	FIELD pH	LAB pH	FREE ACIDITY	ACIDITY	ALKALINITY	SULFATES	IRON	CALCIUM	ALUMINUM	STONE LOAD	RPM	REMARKS
					mg/l	mg/l	mg/l	mg/l	mg/l	mg/l	mg/l	% full		

SPECIAL TESTS

0.500	0	5.30	4.60	0	50	4	155	0.04	21.2	8.30				
	1	4.80	4.80	0	22	8	155	0.08	30.2	7.40				
0.500	0	4.80	4.60	0	54	6	155	0.06	22.4	7.90				
	1	5.00	4.80	0	22	8	150	0.09	29.3	7.30				
0.440	0	4.70	4.60	0	58	6	155	0.04	21.1	8.30				
	1	5.10	4.80	0	30	8	150	0.07	30.0	8.20				
0.500	0	4.90	4.60	0	54	6	160	0.05	20.9	7.50				
	1	4.80	4.90	0	30	6	155	0.08	27.7	8.30				
0.500	0	4.75	4.60	0	58	6	160	0.05	19.6	8.90				
	1	4.90	4.80	0	30	8	155	0.08	29.2	8.70				
0.500	0	4.85												
	1	5.00												
0.500	0	5.20	4.60	0	58	6	165	0.05	21.2	12.20				
	1	4.90	4.80	0	30	8	155	0.08	25.5	9.80				
0.440	0	4.95	4.60	0	58	6	125	0.06	20.0	8.70				
	1	5.05	4.80	0	28	8	135	0.09	28.1	8.50				
0.500	0	4.70	4.00	14	68	0	150	0.46	16.1	6.80				
	1	4.90	4.70	0	28	8	140		30.6	7.10				
0.500	0	5.10	4.60	0	6	8	135	0.08	18.4	8.90				
	1	4.95	4.80	0	30	6	150	0.08	26.8	8.00				
0.420	0	4.75	4.50	0	54	6	170	0.06	20.2	8.30				
	1	5.05	5.40	0	4	8	165	0.10	37.1	8.60				
0.500	0	4.75												
	1	5.00	4.90	0	16	8	160	0.13	35.1	8.40				
0.500	0	5.00	4.40	2	58	6	170	0.09	20.5	8.80				
	1	4.70	4.70	0	22	6	175	0.10	31.8	8.40				
0.440	0	4.80												
	1	5.05												
0.500	0	4.60												
	1	4.90												
0.480	0	4.80												
	1	4.95												
0.500	0	4.85												
	1	5.00												
0.500	0	4.90												
	1	5.00												

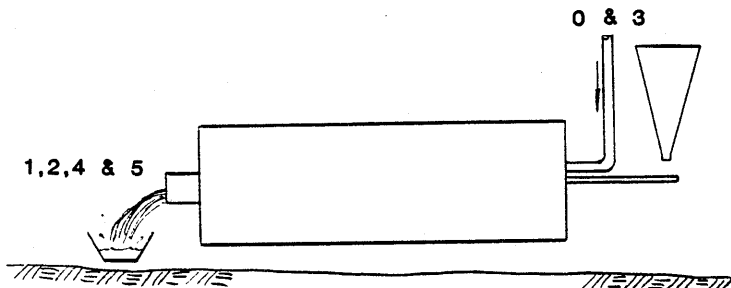
INFLUENT TO DRUM NO. 5 FROM BARRIER NO. 1

HOLLYWOOD DRUM

SAMPLING NO.	FLOW	LOCATION	FIELD pH	LAB pH	FREE ACIDITY	ACIDITY	ALKALINITY	SULFATES	IRON	CALCIUM	ALUMINUM	REMARKS			
					mg/l	mg/l	mg/l	mg/l	mg/l	mg/l					
40 5/19/80 5:00 PM	0.000	0	3.80	3.60	18	74	0	145	1.15	12.0	8.44				
			1	4.80	4.70	0	12	5	170	0.64	33.4	4.30			
41 5/19/80 8:00 PM	0.096	0	3.80	3.60	20	72	0	160	1.20	12.6	8.42				
			1	4.70	4.60	0	18	5	170	0.62	31.1	4.46			
			2	6.10	6.80	0	0	154	275	38.90	999.4	235.60			
			3	3.80	3.60	16	72	0	135	1.21	16.6	8.58			
			4	6.00	6.70	0	0	74	210	0.85	78.2	4.64			
42 5/19/80 11:00 PM	0.080	0	3.70	3.60	18	72	0	130	1.18	13.8	8.58				
			1	6.10	5.80	0	0	18	195	0.56	39.8	3.16			
			2	7.10	6.70	0	0	334	205	1.84	2036.4	57.44			
			3	3.80	3.60	18	74	0	105	1.12	13.4	8.36			
			4	6.00	6.20	0	2	42	190	0.67	49.6	3.94			
43 5/20/80 3:00 AM	0.080	0	3.60	3.60	16	72	0	115	1.11	17.0	8.98				
			1	6.00	5.00	0	1	20	175	0.56	42.3	3.54			
			2	6.70	6.80	0	0	1040	195	6.06	1521.9	65.52			
			3	3.80	3.70	14	68	0	105	1.15	13.3	8.38			
44 5/20/80 8:00 AM	0.088	0	3.70	3.60	16	72	0	120	1.10	15.2	9.38				
			1	5.80	5.80	0	2	14	170	0.54	40.3	3.58			
			2	6.50	7.80	0	0	612	200	20.10	1460.0	96.72			
			3	3.70	3.60	16	74	0	115	1.18	13.2	9.84			
45 5/20/80 12:00 PM	0.000	0	3.70	3.60	18	72	0	120	1.13	12.2	9.22				
			1	6.20	6.40	0	2	38	175	0.53	49.7	3.78			
			46 5/20/80 4:00 PM	0.110	0	4.00	3.60	30	74	0	150	1.12	13.3	8.60	
						1	5.70	6.20	0	0	16	160	0.32	40.2	2.14
47 5/20/80 8:00 PM	0.110	0	3.80	3.60	34	72	0	150	1.13	12.8	8.50				
			1	6.20	6.00	0	2	14	160	0.40	36.9	2.54			
			2	6.50	7.10	0	0	1066	220	12.63	1482.0	168.00			
			3	3.80	3.60	28	70	0	150	1.15	14.5	9.28			
48 5/21/80 12:00 AM	0.110	0	4.00	3.60	32	72	0	150	1.25	12.2	9.02				
			1	5.40	5.80	0	4	12	160	0.76	33.6	3.82			
			2	6.50	7.00	0	0	542	240	43.40	1643.5	298.32			
			3	4.30	3.60	28	78	0	150	1.26	12.9	9.60			
49 5/21/80 4:00 AM	0.100	0	3.80	3.60	32	74	0	150	1.14	13.3	9.30				
			1	6.10	5.10	0	4	6	155	0.48	36.0	3.50			

RUN NO. 3

HOLLYWOOD DRUM SAMPLING LOCATION DIAGRAM



- 0. PRE-ROTATE INFLUENT
- 1. PRE-ROTATE EFFLUENT
- 2. WASHWATER
- 3. POST ROTATE INFLUENT
- 4. POST ROTATE EFFLUENT
- 5. WASHWATER SUPERNANT

HOLLYWOOD DRUM

SAMPLING NO.	FLOW	LOCATION	FIELD pH	LAB pH	FREE ACIDITY	ACIDITY	ALKALINITY	SULFATES	IRON	CALCIUM	ALUMINUM	REMARKS	
					mg/l	mg/l	mg/l	mg/l	mg/l	mg/l			
	cfs				mg/l	mg/l	mg/l	mg/l	mg/l				
50 5/21/80 8:00 AM	0.110	0	3.80	3.60	28	72	0	155	1.15	11.9	8.56		
		1	4.80	4.60	0	22	5	155	0.53	28.8	4.84		
		2	6.20	7.00	0	0	0	442	350	111.85	991.8	262.02	
		3	3.80	3.60	28	76	0	150	1.17	13.7	8.50		
		4	5.90	6.30	0	0	30	170	0.60	54.0	2.70		
51 5/21/80 12:00 PM	0.100	0	3.80	3.60	30	72	0	155	1.19	12.7	8.46		
		1	4.90	4.90	0	10	6	155	0.53	32.9	4.36		
52 5/21/80 4:00 PM	0.080	0	3.90	3.60	28	74	0	130	1.14	12.7	8.40		
		1	5.20	4.90	0	10	5	160	0.47	33.3	4.16		
		2	6.50	7.10	0	0	372	290	6.74	534.5	427.46		
		3	3.90	3.60	28	74	0	130	1.15	13.7	8.84		
		4	6.00	6.30	0	0	32	180	0.60	48.6	2.96		
		5	6.90	6.90	0	0	142	190	1.65	110.7	6.94		
53 5/21/80 8:00 PM	0.100	0	3.90	3.60	26	72	0	130	1.14	13.1	8.94		
		1	5.20	4.90	0	8	6	160	0.47	33.4	3.72		
		2	6.20	6.90	0	0	2300	230	30.27	678.5	494.20		
		3	3.90	3.60	24	76	0	135	1.19	14.1	8.44		
		4	6.20	6.10	0	0	44	180	1.09	146.3	4.14		
		5	6.70	6.70	0	0	116	230	2.37	96.2	12.28		
54 5/22/80 12:00 AM	0.110	0	4.60	3.60	30	72	0	125	1.19	12.7	8.32		
		1	5.10	4.60	0	40	6	160	0.64	30.3	4.02		
		2	6.60	6.70	0	0	332	260	15.78	260.0	357.06		
		3	4.30	3.60	26	74	0	130	1.21	15.0	8.38		
		4	6.50	6.40	0	0	70	185	0.70	55.3	3.32		
		5	6.50	6.80	0	0	102	205	8.96	211.7	39.76		
55 5/22/80 4:00 AM	0.110	0	4.30	3.60	26	78	0	125	1.18	14.8	8.76		
		1	5.60	5.70	0	2	20	165	0.44	36.6	2.92		
56 5/22/80 8:00 AM	0.110	0	3.80	3.60	28	76	0	140	1.24	14.3	9.58		
		1	4.80	4.60	0	24	6	160	0.51	30.8	4.68		
		2	6.30	6.90	0	0	170	350	2.86	1084.5	529.54		
		3	3.80	3.60	28	78	0	130	1.21	14.8	8.88		
		4	5.70	6.00	0	2	30	175	0.50	41.5	2.62		
57 5/22/80 12:00 PM	0.100	0	3.80	3.60	28	80	0	140	1.20	14.4	8.74		
		1	6.00	6.00	0	2	30	175	0.40	37.0	2.34		
		3	3.85	3.60	32	78	0	145	1.18	15.3	8.46		
		4	5.85	6.10	0	0	34	175	0.36	43.6	1.66		
58 5/22/80 4:00 PM	0.070	0	3.90	3.60	26	74	0	150	1.21	12.6	8.88		
		1	5.40	6.00	0	2	2	175	0.26	43.9	1.54		
		2	6.50	7.30	0	0	3440	265	0.67	1525.7	190.74		
		3	4.20	3.70	22	78	0	135	1.24	24.1	9.14		
		4	6.20	6.60	0	0	124	195	1.16	94.4	5.84		
		5	6.40	6.70	0	0	120	230	6.85	260.3	27.12		
		6	4.00	3.60	20	78	0	130	1.27	14.4	9.12		
		7	6.00	6.10	0	0	36	175	0.45	49.9	1.62		

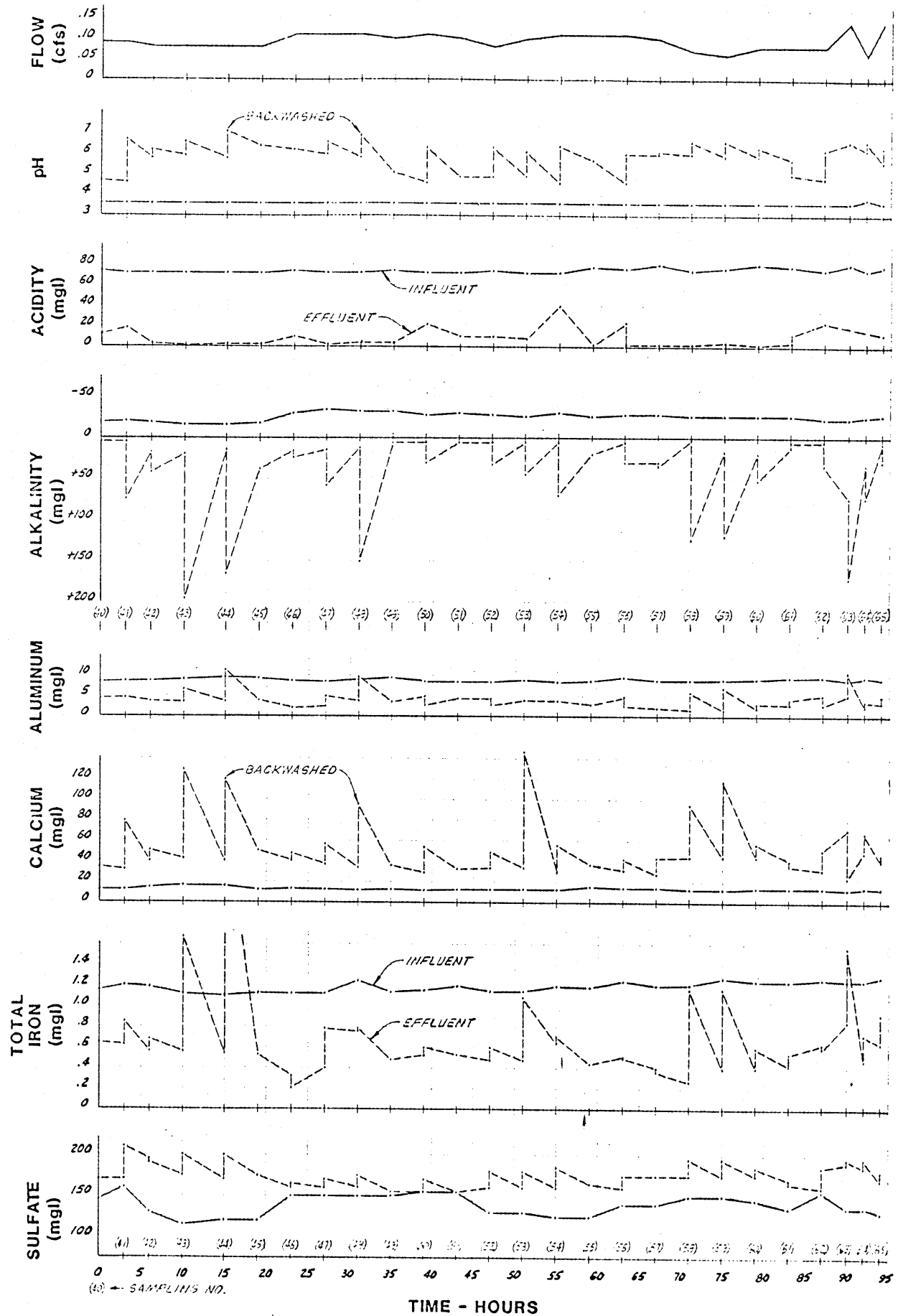
RUN NO. 3

INTERMEDIATE
SAMPLING
6:00 PM

HOLLYWOOD DRUM

SAMPLING NO.	FLOW	LOCATION	FIELD pH	LAB pH	FREE ACIDITY	ACIDITY	ALKALINITY	SULFATES	IRON	CALCIUM	ALUMINUM	REMARKS
					mg/l	mg/l	mg/l	mg/l	mg/l	mg/l		
59 5/22/80 8:00 PM	0.060	0	4.10	3.60	26	76	0	150	1.27	12.5	9.00	INTERMEDIATE SAMPLING 6:00 AM
		1	5.90	5.90	0	4	18	175	0.39	43.9	1.38	
		2	6.60	6.80	0	0	2480	200	0.16	1115.2	60.72	
		3	5.10	3.60	26	76	0	130	1.27	17.6	9.00	
		4	6.30	6.60	0	0	120	195	1.17	118.0	6.90	
		5	4.30	3.60	24	78	0	135	1.27	13.4	9.00	
		6	5.00	6.00	0	2	22	175	0.37	43.5	1.34	
		7	6.40	6.90	0	0	2900	200	0.29	1423.0	58.74	
		8	4.40	3.60	22	76	0	130	1.27	13.6	9.24	
9	6.50	6.60	0	0	92	190	0.81	72.8	3.6			
60 5/23/80 12:00 AM	0.080	0	4.20	3.60	26	80	0	145	1.24	13.4	9.16	INTERMEDIATE SAMPLING 2:00 AM
		1	6.00	5.90	0	2	20	175	0.40	43.6	1.98	
		2	6.50	6.90	0	0	2640	205	0.14	1113.4	63.00	
		3	3.80	3.60	26	74	0	130	1.29	14.7	8.92	
		4	6.30	6.30	0	0	52	185	0.59	56.5	3.00	
		5		6.80	0	0	214	195	1.05	129.5	4.44	
		6	4.10	3.60	22	78	0	130	1.24	13.5	9.22	
		7	6.10	5.90	0	2	18	175	0.38	42.5	4.00	
		8	6.20	6.80	0	0	2360	210	2.84	1278.7	88.20	
		9	4.20	3.60	26	76	0	130	1.25	13.9	9.26	
10	6.80	6.50	0	0	70	190	1.09	62.0	6.26			
61 5/23/80 4:00 AM	0.080	0	4.10	3.60	26	78	0	135	1.23	13.5	9.46	INTERMEDIATE SAMPLING 10:00 AM
		1	6.30	5.70	0	4	12	170	0.42	41.0	2.94	
		3	4.10	3.70	24	76	0	150	1.25	13.3	9.18	
		4	7.20	5.00	0	12	6	160	0.54	35.0	4.08	
62 5/23/80 8:00 AM	0.080	0	3.70	3.60	22	74	0	155	1.26	13.5	9.46	INTERMEDIATE SAMPLING 10:00 AM
		1	5.10	4.80	0	24	6	160	0.63	30.7	5.08	
		2	6.40	6.80	0	0	840	325	9.94	978.5	202.90	
		3	3.80	3.60	22	76	0	135	1.29	14.0	10.06	
		4	6.00	6.20	0	0	34	185	0.59	50.3	2.82	
		6	3.70	3.60	24	76	0	145	1.26	13.3	9.08	
		7	5.70	5.90	0	4	20	175	0.39	43.5	1.80	
		8	6.00	6.80	0	0	2120	215	1.88	944.3	114.60	
		9	3.70	3.60	26	82	0	130	1.25	13.5	8.76	
		10	5.60	6.40	0	0	62	190	0.71	57.5	3.62	
63 5/23/80 11:00 AM	0.140	0	4.00	3.60	22	80	0	135	1.25	12.2	8.74	INTERMEDIATE SAMPLING 10:00 AM
		1	6.20	6.60	0	0	74	190	0.85	70.3	5.06	
		2	6.60	6.60	0	0	520	185	0.23	564.3	33.90	
		3	4.00	3.60	24	78	0	125	1.22	13.8	10.24	
4	6.50	6.60	0	0	172	195	1.57	23.1	10.60			
64 5/23/80 1:00 PM	0.060	0	3.70	3.80	24	74	0	135	1.25	14.1	9.46	INTERMEDIATE SAMPLING 10:00 AM
		1	5.50	6.20	0	0	34	185	0.47	48.5	2.38	
		2	6.60	7.50	0	0	4300	190	0.91	1510.5	59.16	
		3	4.40	3.60	26	76	0	125	1.26	14.2	9.30	
4	6.20	6.60	0	0	74	195	0.72	67.0	3.64			
65 5/23/80 3:00 PM	0.140	0	4.00	3.60	26	78	0	130	1.28	13.5	8.98	INTERMEDIATE SAMPLING 10:00 AM
		1	5.80	5.60	0	12	8	170	0.64	40.1	3.20	
		2	6.70	6.80	0	0	1212	200	1.57	1143.8	47.64	
		3	4.50	3.60	24	78	0	130	1.35	21.1	10.78	
4	5.60	6.30	0	0	30	180	0.92	46.1	4.76			

RUN NO. 3



HOLLYWOOD DRUM SAMPLING 40 THRU 65
C92

HOLLYWOOD DRUM

SAMPLE NO.	FLOW	LOCATION	HOT pH	COLD pH	HOT ACIDITY	COLD ACIDITY	HOT ALKALINITY	COLD ALKALINITY	IRON	CALCIUM	ALUMINUM
	cfs				mg/l	mg/l	mg/l	mg/l			
7/22/81 3:00	0.10	0	3.50	3.60	112	124	-64	-34	0.45	16.7	13.29
		1	7.40	8.40	72	0			49.00	6289.0	17.94
		2	7.20	7.60	54	24		800	10.62	477.0	12.11
7/23/81 3:00	0.10	0	3.50	3.70	115	136	-63	-30	0.46	16.6	13.21
		1	7.20	8.20	119	0		3200	41.20	5840.0	73.90
		2	7.00	8.20	52	0			4.95	381.0	15.29
7/23/81 5:00	0.10	0	4.00	3.50	84	130	-34	-38	0.56	16.9	13.88
		1	8.00	7.90	14	36		2180	30.20	2983.0	31.40
		2	8.00	7.50	10	20		1400	5.56	803.7	11.67
7/24/81 10:00	0.10	0	3.70	3.70	110	120	-60	-40	0.51	22.2	12.42
		1	3.70	3.90	94	106	-48	-26	0.43	20.1	11.71
7/24/81 11:00	0.10	0	3.80	4.20	106	106	-50	-14	0.27	19.9	11.83

RUN NO. 4

HOLLYWOOD DRUM

LOCATION	MAGNESIUM	SUSPENDED SOLIDS	SPECIAL TESTS
	mg/l	mg/l	

0	13.8	2
1	14.5	14
2		9480
5		50
2		3880
5		178
5		144
5		248
5		96
2		9120
5		534
10		106
0	14.3	
1	15.1	
0	14.7	
1	15.6	
6	14.7	
7	14.3	
1	16.5	78
2	21.4	4280
3	15.4	18
4	16.7	50